
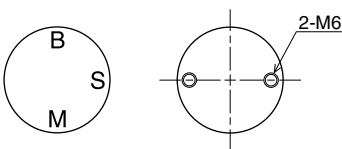


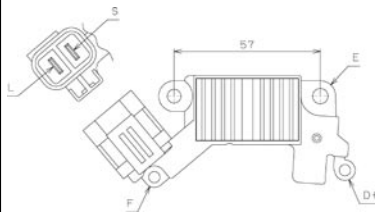



## NEW PRODUCTS NP-209

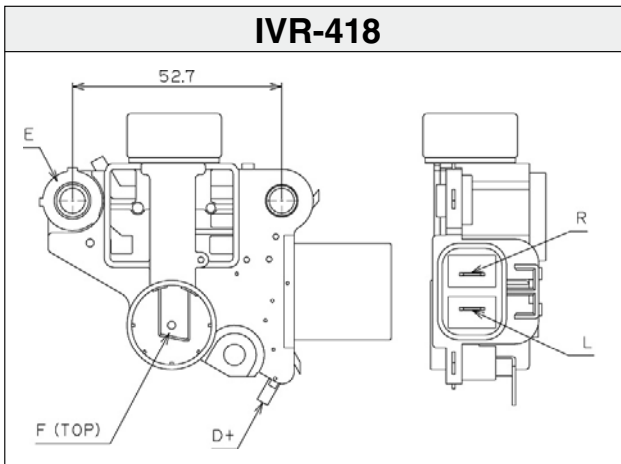
Illustration	Ref. No.	Application	On Sale
<p><b>SS-1230</b>      <b>12V</b></p>   <p>40PCS./CARTON                  CARTON SIZE:                  30×27×25cm(0.02025m<sup>3</sup>)                  G/W:26.0kg</p>	<p>8-97365923-1</p> <p><b>STARTER</b>  <b>12V 2.3kw</b>                  8-98028198-0                  8-97365824-0</p>	<p><b>ISUZU</b>                  D-MAX      2.5      4JA1      '02~'06                                   3.0      4JH1      '02~'06  <b>RODEO</b>    2.5      4JA1      '02~'06                                   3.0      4JH1      '02~'06</p> 	<b>JUL. '13</b>
<p><b>IVR-419</b>      <b>12V</b></p>   <p>200PCS./CARTON                  CARTON SIZE:                  55×30×45cm(0.07425m<sup>3</sup>)                  G/W:17.0kg</p>	<p>37370-27011</p> <p><b>ALTERNATOR</b>  <b>12V</b>                  37300-27013</p>	<p><b>HYUNDAI</b>                  SANTA FE</p> <p><b>KIA</b>                  BONGO III</p> 	<b>MAY.'13</b>

<http://www.newera.co.jp/>

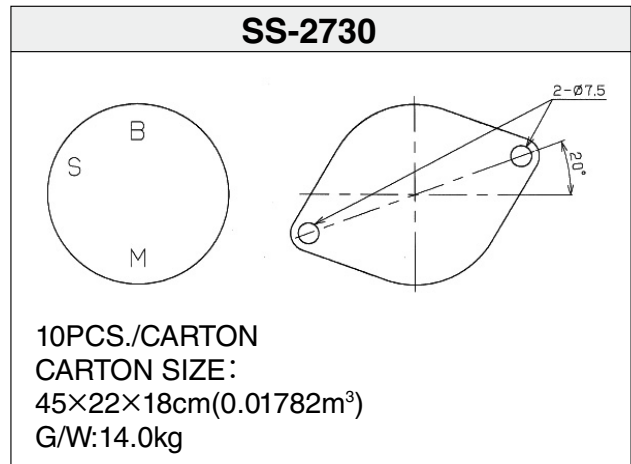
# NEW PRODUCTS

Illustration	Ref. No.	Application	On Sale
<p><b>IVR-420</b>      <b>12V</b></p> <p>200PCS./CARTON CARTON SIZE: 55×30×45cm(0.07425m³) G/W:17.0kg</p>	<p>37370-25100 37370-25201</p> <p><b>ALTERNATOR 12V</b> 37300-25201</p>	<p><b>HYUNDAI</b> SONATA(NF)      '04~</p> <p><b>KIA</b> CARENS</p>	<b>JUL. '13</b>

## DRAWING



Ref: Communication Site **No.399**(FEB.2013)



Ref: Communication Site **No.399**(FEB.2013)

## CORRECTION

<p><b>IVR-418</b></p>	<p><del>12V</del></p> <p><b>ALTERNATOR 24V</b> 0K87T-18-30A</p>
-----------------------	---

Ref: Communication Site **No.399**(FEB.2013)

