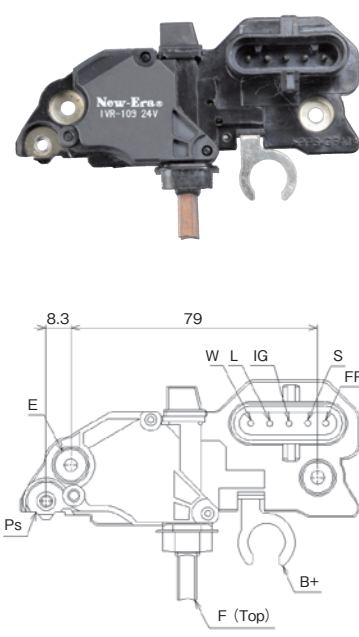


**NEW PRODUCTS NP-238**

New-Era No.	Ref. No.	Application	On Sale
<p><b>IVR-109 24V</b></p>  <p>100PCS./CARTON                  CARTON SIZE:                  56×33×43cm(0.07946m³)                  G/W:14.0kg</p>	<p>(F 00M 144 103)                      (F 00M 144 119)                      (F 00M 145 246)                      (F 00M 145 297)</p> <p><b>ALTERNATOR</b>  <b>24V 70A</b>                      (0 124 555 005)                      (0 124 555 010)                      (0 124 555 061)</p> <p><b>24V 80A</b>                      (0 124 555 006)                      (0 124 555 009)                      (0 124 555 017)                      (0 124 555 020)                      (0 124 555 027)                      (0 124 555 028)                      (0 124 555 058)                      (0 124 555 063)                      (0 124 555 070)                      (0 124 555 077)                      (0 124 555 078)                      (0 124 555 084)                      (0 124 555 555)                      (0 124 555 559)                      (0 124 555 563)</p> <p><b>24V 90A</b>                      (0 124 655 005)                      (0 124 655 030)                      (0 124 655 082)                      (0 124 655 091)</p> <p><b>24V 100A</b>                      (0 124 655 006)                      (0 124 655 013)                      (0 124 655 093)</p> <p><b>24V 110A</b>                      (0 124 655 008)                      (0 124 655 012)                      (0 124 655 019)                      (0 124 655 065)                      (0 124 655 092)                      (0 124 655 015)</p>	<p><b>MITSUBISHI</b>                      CANTER</p> <p><b>VOLVO TRUCK</b>                      FH, FM</p> <p><b>VOLVO BUS</b>                      B12</p> <p><b>IVECO TRUCK</b></p> <p><b>RENAULT TRUCK</b></p> <p><b>EURO CARGO TRUCK</b></p> <p><b>JOHN DEERE</b></p> <p><b>CASE</b>                      WHEEL LOADER</p> <p><b>NEW HOLLAND</b>                      WHEEL LOADER</p> <p><b>KOBELCO</b>                      WHEEL LOADER</p> <p><b>DAF</b>                      CF65, LF45, LF55</p>	<p><b>MAY.'16</b></p>
	<p><b>24V 120A</b>                      (0 124 655 137)</p> <p><b>24V 130A</b>                      (0 124 655 033)</p>	<p>(0 124 555 067)                      (0 399 602 500)                      (0 399 602 504)                      (0 399 602 505)</p>	


<http://www.newera.co.jp/>

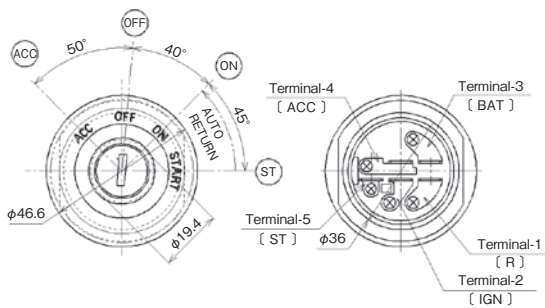


# NEW PRODUCTS

New-Era No.	Ref. No.	Car Maker	On Sale
<b>NIG-005</b>	25150-B5000 26150-A4600	<b>UNIVERSAL TYPE</b>	<b>JUN.'16</b>





**CIRCUIT**

P	T	1	2	3	4	5
		R	IGN	BAT	ACC	ST
ACC				○	○	
OFF						
ON			○	○	○	
START		○	○	○		○

## WE ARE PLANNING TO DEVELOP THE IG COILS

①	NISSAN	22448-8U715
②	NISSAN	22448-1HC0A
③	NISSAN	22448-1KT0A
④	NISSAN	22448-31U06, 22448-31U16
⑤	NISSAN	22448-31U00, 22448-31U01, 22448-31U11
⑥	MAZDA	ZL01-18-100, ZL01-18-100A, ZZY1-18-100, ZL01-18-100B
⑦	MAZDA	ZJ01-18-100A
⑧	MAZDA	FFY1-18-100, FT85-15-100C, FB85-18-100C
⑨	HONDA	30520-P8E-A01, 30520-P8F-A01, 30520-P8F-A02, 30520-PKG-A01, 30520-PVF-A01, 30520-RCA-A02
⑩	HONDA	30521-RBJ-S01
⑪	DAIHATSU	19070-B10210

## DRAWING

