
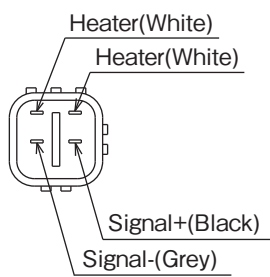

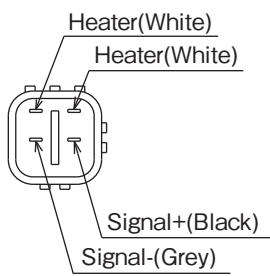
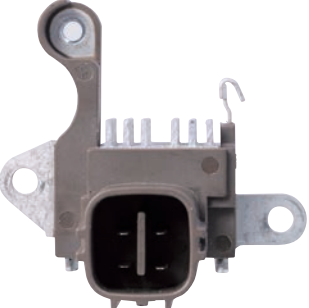
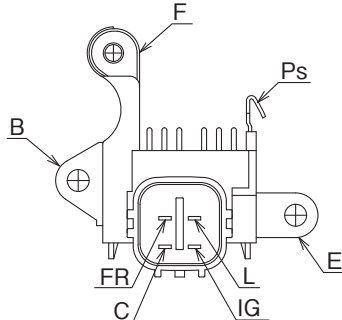





NEW PRODUCTS NP-276

New-Era No.	Car Maker	Ref. No.	Wire length	Connector fig.	On Sale
NOX-T107  100PCS./CARTON CARTON SIZE: 56×33×43cm(0.07946m ³) G/W:12.0kg	TOYOTA LEXUS	0 258 006 799 89465-06040 89465-33120 89465-50070 89465-53050 89465-80100 89465-0D130	640(mm)		On.Sale
NOX-T108  100PCS./CARTON CARTON SIZE: 56×33×43cm(0.07946m ³) G/W:12.0kg	TOYOTA LEXUS	89465-06020 89465-20760 89465-28280 89465-28290 89465-30430 89465-33210 89465-42090 89465-44050 89465-44060 89465-50100	650(mm)		Mar. '20

<http://www.newera.co.jp/>

NEW PRODUCTS

New-Era No.	Ref. No.	Application	On Sale
IVR-5028 12V  	ALTERNATOR 12V 27060-BZ320 (104211-2190)	TOYOTA AVANZA F650 (K3,3SZ) '11~'15 DAIHATSU XENIA	APR.'20
200PCS./CARTON CARTON SIZE: 57×34×29cm (0.05620m ³) G/W:9.0kg		 (Assembly with D-903)	

New-Era No.	Parts No.	Car Maker	Car Model	Model No.	Engine Model	Model Year	On Sale
MIC-T3115  	19500-B0010	TOYOTA DAIHATSU	AVANZA TERIOS XENIA			'04~'06	MAY.'20
10PCS./CARTON CARTON SIZE: 45×22×18cm (0.01782m ³) G/W: 5.0kg		DAEWOO OPEL MITSUBISHI GREAT WALL	LANOS LAGANZA FRONTERA ZINGER FUZION SA220 V240 X240		(1.4L) (2.2L) (2.2L) (4G6)	'97~ '99~'02 '98~ '05~ '10~'17 '09~'18 '08~'10	MAY.'20
20PCS./CARTON CARTON SIZE: 64×27×21cm (0.03629m ³) G/W: 12.0kg							