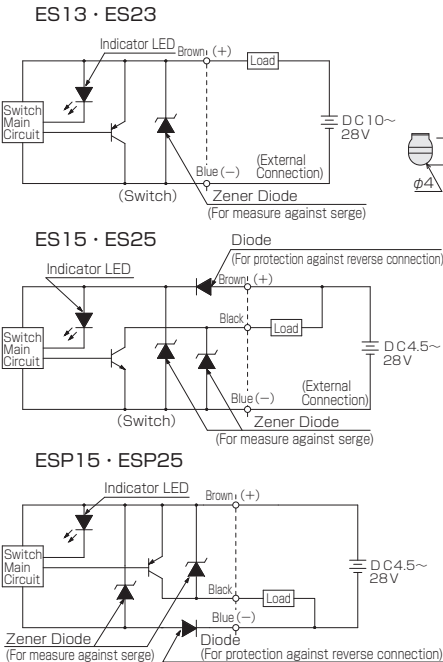


## Specifications

Item	Type	ES13A	ES23A	ES15A	ES25A	ESP15A	ESP25A
		ES13B	ES23B	ES15B	ES25B	ESP15B	ESP25B
Wiring Method		2 Wire System		3 Wire System		3 Wire System	
Output System		—		NPN Type		PNP Type	
Lead Wire Leading Direction		Straight Type	L-shaped	Straight Type	L-shaped	Straight Type	L-shaped
Power-supply Voltage		—		DC4.5~28V		DC4.5~28V	
Load Voltage		DC10~28V		DC4.5~28V		—	
Load Current		4~20mA		50mA MAX.		50mA MAX.	
Consumption Current at ON		—		10mA MAX.		10mA MAX.	
Internal Drop Voltage <sup>Note 1)</sup>		3.5V MAX.		0.5V MAX. (When the load current is 50mA)		0.5V MAX. (When the load current is 50mA)	
Leak Current		0.8mA MAX.		100 $\mu$ A MAX.		100 $\mu$ A MAX.	
Delay Time		1ms MAX.					
Insulation Resistance		100M $\Omega$ MIN. (Between case and lead wire terminal at DC 500V Mega)					
Withstand Voltage		AC1000V(50/60Hz) 1 minute (Between case and lead wire terminal)					
Shock Resistance <sup>Note 2)</sup>		500m/s <sup>2</sup> [50.0G] (Non-repetitive)					
Vibration Resistance <sup>Note 2)</sup>		Double amplitude 1.5mm·10~55Hz [90m/s <sup>2</sup> (9.0G)]					
Protection Structure		IEC IP67, JIS C0920 (Watertight type)					
Operation Indicator		Red LED indicator illuminates at ON					
Lead Wire		PVC0.15SQ					
Lead Wire Length L		—		A: 1m, B: 3m		—	
Operating Ambient Temperature Range		0~60°C					
Storage Ambient Temperature Range		-20~80°C					
Mass		A: 12g, B: 31g	A: 13g, B: 32g	A: 12g, B: 31g	A: 13g, B: 32g	A: 12g, B: 31g	A: 13g, B: 32g

Note 1): The internal drop voltage changes depending on the load current. Note 2): As per our test standards.

## Internal Circuit



## Outside Dimensions

