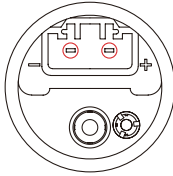
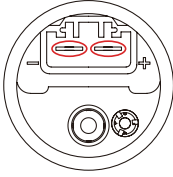


New-Era FUEL PUMPS


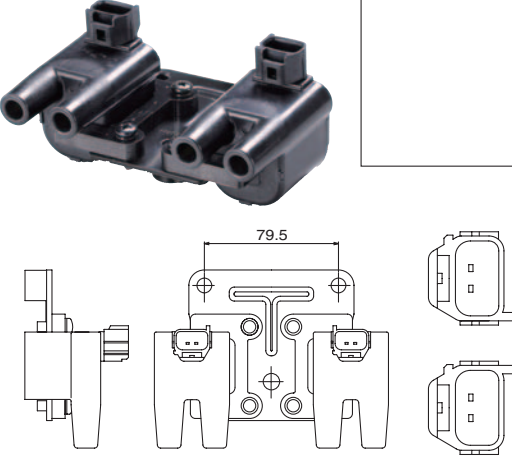


Product Specification

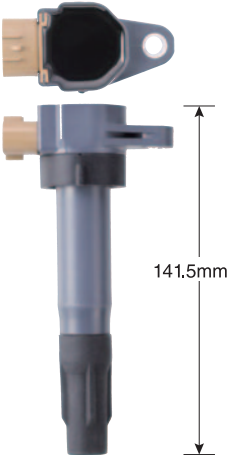

New-Era No.	Specification	Terminal	Application	Packing
NFP-001A NFP-001B	Working voltage: DC12V Operating pressure: 0.3MPa Work flow: more than or equal to 100 l/h	SMALL 	TOYOTA GIP-502 CFP-102 DFP-4301	30PCS./CARTON CARTON SIZE: 35×32×21cm (0.0235m ³) G/W: 12.0kg
NFP-002A NFP-002B	Working current: less than or equal to 6.0A Maximum working pressure: 0.6MPa	WIDE 	MITSUBISHI HONDA HYUNDAI GIP-501 CFP-101 DFP-4300	

<http://www.newera.co.jp/>

NEW PRODUCTS NP-252

Illustration	Parts No.	Car Maker	Car Model	Engine Model	Model Year	On Sale
MIC-X3073 	27301-2B100	KIA HYUNDAI	RIO SOUL ACCENT VELOSTER	(1.6L) (1.6L) (1.6L) (1.6L)	'12~'14 '12~'14 '12~'14 '12~'14	Oct. '17
MIC-2036 	96453420	CHEVROLET (DAEWOO)	OPTRA LACETTI NUBIRA	(1.4L,1.6L,1.8L) (1.6L,2.0L)	'05~ '97~	Oct. '17

ADDITIONAL APPLICATION

Illustration	Parts No.	Car Maker	Car Model	Model No.	Engine Model	Model Year
MIC-S3070 	33400-51K40 33400-51K60 	SUZUKI	GRAND VITARA KIZASHI SX4 SWIFT SWIFT ESCUDO	ZC72S/ZC72S TDA4W	(J24B) (J24B) (J20B) (K12) (K14B) (J24B)	'09~ '10~ '10~ '07~ '11~ '12~
	20PCS./CARTON CARTON SIZE: 38×40×17cm (0.02585m ³) G/W:5.0kg					