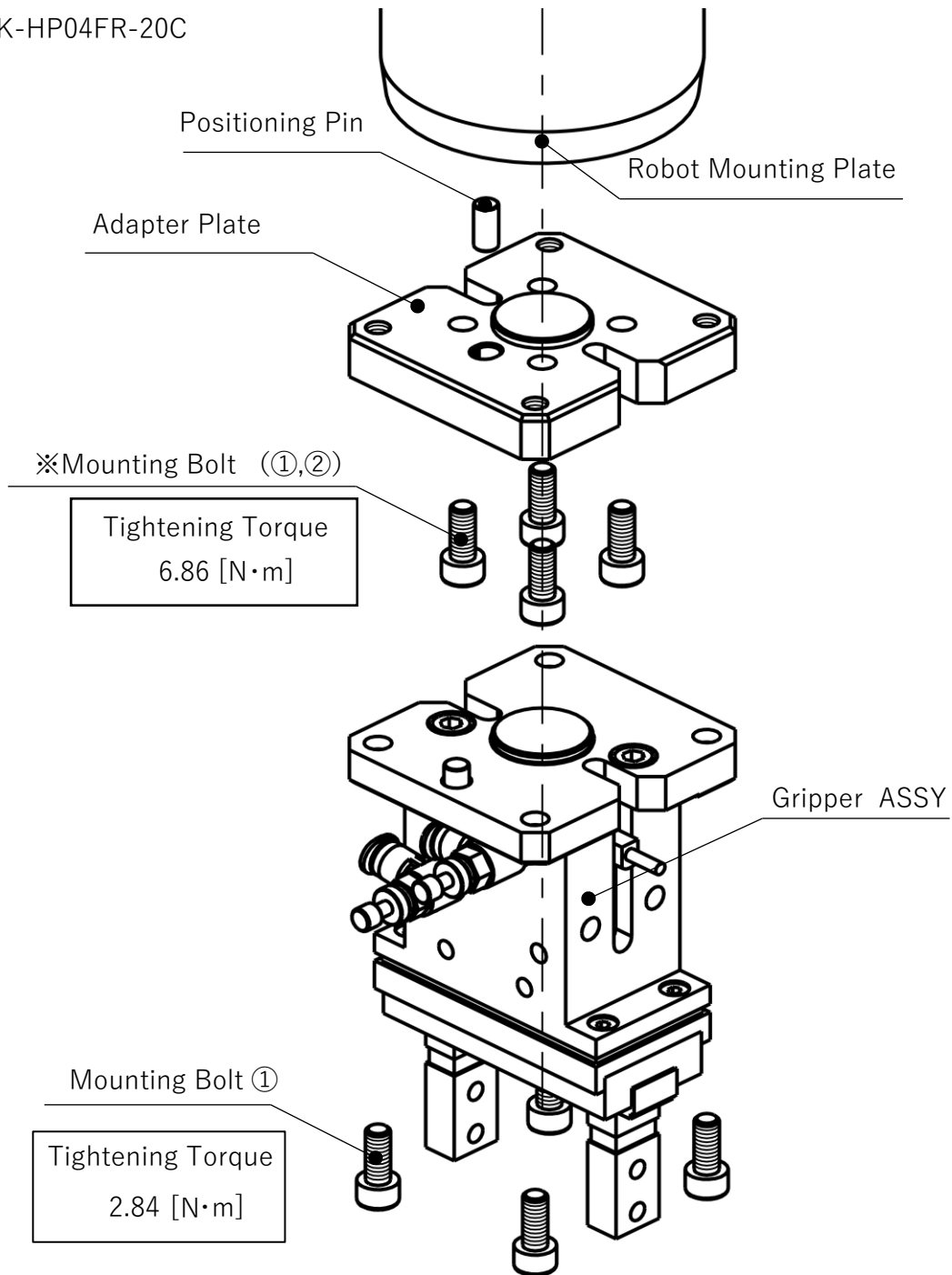


【Mounting Method】

ARM-K-HP04FR-20C



| Mounting Bolt | | Remarks | Tightening Torque |
|---------------|-------------------------|-----------------------|-------------------|
| ① | M5X12L (Nickel Plating) | Mounting Gripper ASSY | 2.84 [N·m] |
| | | Screw Depth 8 | 6.86 [N·m] |
| ② | M5X10L (Black Chromate) | ※Screw Depth 7 | 6.86 [N·m] |

reference)

| | |
|---------------|------------------------|
| Screw Depth 7 | RS007N/L, RS013N/L etc |
| Screw Depth 8 | RS003, RS005N/L etc |