



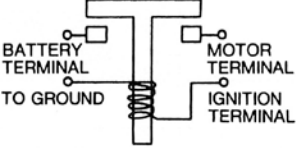






## CONTINUOUS DUTY RELAYS

New-Era No.	Rated Voltage	Rated Current	Momentary Current	Breaking Current	Material of Point		
					Stationary Contact	Moving Contact	
<b>NS-011</b> 	12V	120A	450A	300A	Cu-W	Cu⊕Sn	
<b>NS-012</b> 	24V	70A	250A	200A	Cu-W	Cu⊕Sn	
<b>NS-021</b> 	12V	100A	200A	150A	Cu	Cu	
<b>NS-022</b> 	24V	60A	120A	90A	Cu	Cu	
<b>NS-24121A</b> 	12V	150A	450A	350A	Ag · Cd	Ag · Cd	
<b>NS-24241A</b> 	24V	100A	300A	350A	Ag · Cd	Ag · Cd	