


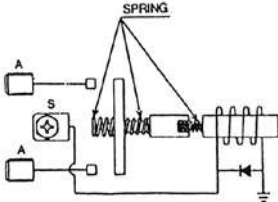



OTHERS

STARTER SWITCHES

New-Era No.	Ref.No.	Application
SS-75 	12V 25117-30100	DATSUN ALL CAB LIGHT JUNIOR CEDRIC AUSTIN PRINCE ALL 56~62 62 58~62 66 57~60 57~66
SS-80 	24V 8295-5002 25610-58301 25610-90080	ISUZU STARTER RELAY NISSAN TRUCK 680
SS-81 	24V U001T05077 MI	UNIVERSAL USE 300A/30SEC WITH DIODE FOR SURGE 
SS-510 	12V SS-4011 SS-4088 SS-4023 SS-1456 DR-1456 DR-1466 DR-1544 15-11, 16	FLAT BRACKET AUTO CAR FEDERAL INTERNATIONAL REO HUDSON NASH 44~53 39~40 40~49 40~49 56 56

GROUND BASE