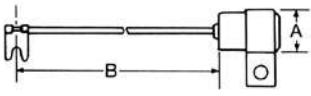
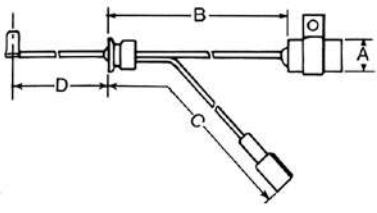
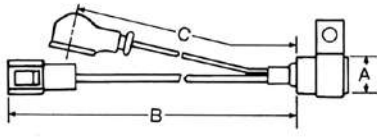
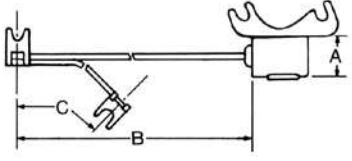
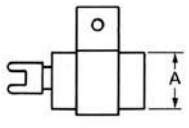
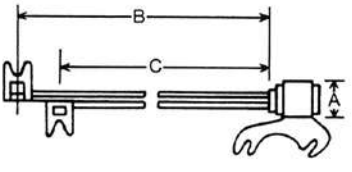



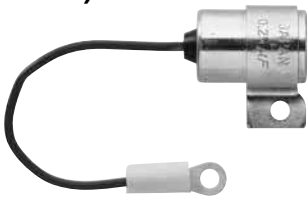
DISTRIBUTOR CONDENSERS

SPECIFICATIONS


Illustration	New-Era No.	TYPE	μF	A ^{m/m}	B ^{m/m}	C ^{m/m}	D ^{m/m}
TYPE 1 	3NC-46	2	0.22	15 ϕ	110	105	43
	3NC-47	1	0.27	15 ϕ	125		
	3NC-48	4	0.22	15 ϕ	205	100	55
	3NC-49	1	0.27	15 ϕ	59		
	4NC-67	6	0.22	17 ϕ	35		
	4NC-69	1	0.22	17 ϕ	85		
TYPE 2 	4NC-73	1	0.22	15 ϕ	110		
	4NC-74	1	0.25	15 ϕ	115		
	4NC-81	1	0.27	15 ϕ	95		
	4NC-82	4	0.25	15 ϕ	180	110	
	4NC-87	1	0.22	17.5 ϕ	107		
TYPE 4 	4NC-89	5	0.22	15 ϕ	95		
	4NC-92	4	0.25	15 ϕ	197	108	
	4NC-95	10	0.22	15 ϕ	130	85	
TYPE 5 							
TYPE 6 							
TYPE 10 							

DISTRIBUTOR CONDENSERS

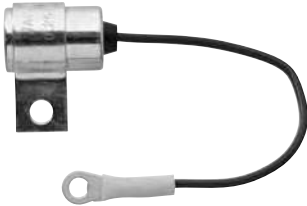
DISTRIBUTOR CONDENSERS

New-Era No.	Ref.No.	Application
4NC-67  0.22μF	19133-60040 90099-52009 949520-0610 ND	TOYOTA LAND CRUISER FJ40, 43, 55 64~73 FU56 73~75 TRUCK FA, FB, FC 64~73 PATROL FS20, 40, 50 69~73
4NC-69 (4NC-79)  0.22μF	19133-10010 90099-52002 90099-52060 949520-0211 ND 949520-2580 ND 949520-2680 ND 949520-5280 ND	DAIHATSU CHARMANT 1200 H-KD10, H-A10, H-KB10, A10 ~75 EP31S, EP42, EP47 CONSORTE KD10, H-KD10, H-A10, H-KB10 ~75 DELTA 750 SV16, SV17T 1500 DV21, 26T 2000 F100, F110, F118B, F175, F200 HILINE F20, 12R 78~ DAIHATSU TAFT JEEP H-A10V (3K-HJ) 75~79 CHARMANT 1200 J-A30V (4K-J) 79~81 CHARMANT 1300 H-A20V (T-J) 76~79 CHARMANT 1400 H-KD11 (4K-J) 78~79 DELTA 750 J-KD20 (4K-J, OPTION) 79~ H-KB11V (4K-J) 78~79 DELTA WIDE J-KB12V (4K-J) 79~82 TOYOTA PUBLICA UP15, 20, 30, 36, 100 ~75 KP30, 31, 36, 37, 42, 47 RT22, 40, 41, 46, 50, 53, 56, 60, 65, ~70 61, 62, 66, 67, 69, 70, 71, 72, 75, 76, 78, 81, 82, 84, 87, 90, 91, 93, 94, 96, 100, 106, 114 RT40, 46, 86 RN10, 20, 25 ~75 H-RN20, 25 ~75 HILUX RH10, 11, 13, 15, 16 HIACE RS50, 56, 60, 66 67~ CROWN KE10, 11, 15, 16, 17, 18, 20, 25, 26, ~75 COROLLA 30, 35, 40 KM10, H-KM10 ~75 LITEACE RK101, 171, 176 67~ STOUT RU10, 12, 15, 18, 19 67~ DYNA RA15, 21, 25 CARINA FJ40, 43, 55 73~ LAND CRUISER TOYOTA COROLLA 76~ STARLET CARINA RN30, 40 (12R) HILUX 78~79

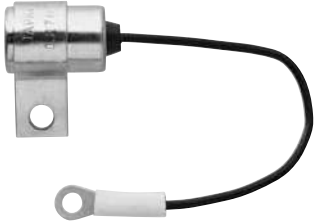
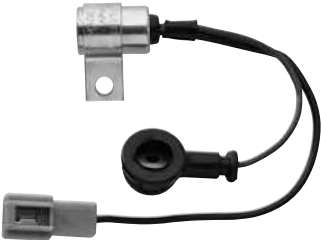

DISTRIBUTOR CONDENSERS

New-Era No.	Ref.No.	Application
4NC-73	0.22 μ F	
		DAIHATSU CHARMANT 1400 A20, H-A20 74~75 DELTA 2000 DV23T CONSORTE EP23T FELLOW MAX C-L40, H-L40 ISUZU GEMINI A-PF50 (G161) ~75 1600 PF50 FASTER (G161) ~75 117 COUPE A-PA95 (G181) ~75 FLORIAN A-PA95 (G180) ~75 A-PA30 H-PA20 (G161) ~75 MITSUBISHI FORTE 1600 H-L021P 76~79 LANCER (4G1)[EC] 79~ CELESTE (4G32, G32B) 77~78 ESTATE VAN 76~79 GALANT Σ 1600GS B-A121ANGS 76~77 GTO 1700 B-A55C, A-55 76~77 Σ 1600 B-A112, A121A 76~79 1600 E-A131A, H-A112V 76~79 (4G32) 77~79 COUPE (4G32) 79 PLYMOUTH ARROW (4G32) 76~77 SAPPORO (4G32)[USA] 76~79 DODGE COLT (4G32)[AUSTRALIA] 76~79 CHALLENGER (4G32)[USA] 76~79 TOYOTA CORONA RT41, 53, 54, 60, 61, 62, 67, 68, 70, ~75 71, 72, 76, 77, 82, 84, 88, 94, 102, 104, 108, 112, 114, 122, TT110, H-TT106 A-RT103, 108 MARK II RX10, 11, 12, 16, 17, 20, 21, 22, 26, 72~75 27, 28 H-RX17 HIACE H-RX18-V/C COROLLA TE20, 25, 27, 30, 31, 35, 36, 37, 40, ~75 41, 45, 47 CELICA TA10, 11, 12, 15, 17, 20, 22, 27 ~75 CARINA RA11, 15, 21, 25 ~75 CROWN RS50, 56, 60, 66 ~75 STOUT RK101, 171, 176 ~75 DYNA RU10, 12, 15, 18, 19 ~75 HILUX RN22 ~75 SUBARU(FUJI) LEONE B-A26, 27 75~ E-A32, 33 77~
		949520-1800 ND T315T22073 MI


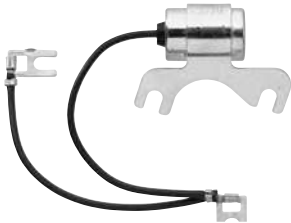
DISTRIBUTOR CONDENSERS

New-Era No.	Ref.No.	Application
4NC-74	0.25 μ F	
		DAIHATSU CHARMANT 1400 A-20, H-A20 75~ 1600 J-A40V (12T-J) 79~81 FELLOW MAX L40 MAX CUORE C-L40 (AB10) 77~79 H-L40V (AB30) 77~80 E-L45 (AB40) 79~80 E-L55 (AB40) 80~ CUORE(COLD) V3# (5R) 77~83 DELTA 1500, 2000 H-TB10V (2T-J) 78~81 DELTA WIDE J-TB11V (2T-J) 79~82 ISUZU 117 COUPE A-PA95 (G181) 75~79 1800 PA95N (S) (G180Z) 76~77 FASTER (G161) 75~ GEMINI A-PF50 (G161) 75~78 B-PF50 1600 PF50 (G161Z) 76~78 1800 PF60E (G180Z) 77~78 FLORIAN 1800 PA30 (G180Z) 76~78 CHEVROLET TROOPER, CARIBE 442 MITSUBISHI GALANT Σ, Δ 1800 E-A162A (G62B) 80~ Σ ESTATE VAN J-A163V (4G63) 80~ L-A168V (G63B) 81~ ETERNA Σ, Δ 1800 E-A162A (G62B) 80~ Σ ESTATE VAN J-A163V (4G63) 80~ L-A168V (G63B) 81~ LANCER EX1800 E-A175A (G62B) 80~ PAJERO 2000 L-L041G (G63B) 82~ DELICA WAGON 1800 E-L035PW (G62B) 80~ SUBARU(FUJI) SUBARU 600 77~81 SUZUKI FRONTE T-S, C-SS-11 (AB10) 78~79 E-SS40 (F5A) 79~ SJ410V 83~ SS80F, SS80AF 83~ CARRY 800 ST80, 80K, 80V, 90, 90K, 90V 80~ CERVO SC80 80~ JIMNY LJ-80QL 8 H-SJ20 (F8A) 77~ TOYOTA CROWN RS60, 80 75~ CORONA RT102,108,112, H-RT108,TT100,110,H-TT106 75~ 1600 H-TT137V (2T-J) 78~79 J-TT138V (12T-J) 79~81 MARK II RX11, 12, 17, 22, 28, 21, 27 75~ H-RX17 CELICA RA11, 15, 21, 25 75~ TA10, 12, 15, 17, 20, 22, 27 75~ H-TA16, H-TA19 COROLLA, SPRINTER, DYNA 75~ HIACE TE3#, 4#, H-TE36 STOUT H-RH12, 14, 17 75~ RK101 75~ COASTER RU10, 12, 15, 19R 75~ HILUX RN30, 40 (12R#) 75~ MARK II 1800 J-TX47V (13T-J) 79~80
	949520-2540 ND	



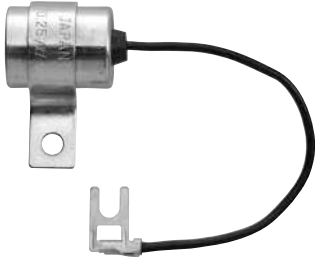
DISTRIBUTOR CONDENSERS

New-Era No.	Ref.No.	Application
4NC-81 0.27 μF 	90099-42034 949520-2710 ND	DAIHATSU CHARADE E-G10 (CB10, 11, 31, 32) E-G11 (CB12, 22, 33) 77~83 83~
4NC-82 0.25 μF 	90099-52068 949520-2810 ND	TOYOTA HIACE J-RH35, 45 (18R, 18R-J) 79~
4NC-84 0.47 μF 	19133-16240	TOYOTA STARLET TERCEL PASEO SOLUNA VIOS/SOLUNA VIOS COROLLA CELICA CORONA CAMRY RAV4 4RUNNER DYNA200 LAND CRUISER 90 EP82/EP91 (4E-FE) 92~ EL53 (5E-FE) 94~95 EL44/54 (5E-FE) 91~ AL50 (5A-FE) 96~03 AXP4# (5A/8A-FE) 02~ AE10# (4A/5A/7A-FE) 91~ EE101/104 (4E/5E-FE) 92~97 AE112 (7E-FE) 98~99 AE111 (4A-FE) 95~ AE110/112 (5A/7A-FE) 95~ EE111 (4E-FE) 95~ ST184 (5S-FE) 91~93 ST202/204 (3S/5S-FE) 93~ AT190 (4E-FE) 92~97 ST191 (3S-FE) 92~ AT210 (4A-FE) 98~ ST210 (3S-FE) 96~ AT220 (4A-FE) 97~ SXV1# (3S/5S-FE) 92~97 SXA1# (3S-FE) 94~96 RZN185 (3RZ-FE) 95~ RZU100 (3RZ-FE) 97~ RZJ9# (3RZ-FE) 96~02

DISTRIBUTOR CONDENSERS

New-Era No.	Ref.No.	Application
4NC-87 	0.22μF 49102-7801 89102-4101 22102-00800 22102-00801 30108-634-005 30108-PA1-005 9-82311722-0 9-82315207-0	HONDA CIVIC 73~79
		ISUZU 117 COUPE 1800XE PA90, PA95, AP95, PR95 73~ PA95, PA90E, PA90HE 76~ BELLET PA95, PR95, PA30, KB20 73~ ELF, BUS BLG, TLG, BLD 71~73 ELF 150 KAG (G161) 73~ 250 KAG (G161) 70 1500 TLG (G201) 73~ FASTER KA41, KA51, KAG 73~ KB20 74~
	NISSAN(DATSUN) BLUEBIRD TRUCK 441, 510, 520, 610, 710 65~70 411, 520, 521, 620, 681, 690, 694, 780, C80, W73 65~ VIOLET 710, K710, KP710, JP710, JKP710 73~74 SUNNY B10, 110, 210, (A14S) 66~ KB210GK, VB210, VB310 (A12) CHERRY E10, F10, PE10 70~74 JUNIOR 40, 41, 130, 140 64~ CABSTAR 521, 620, 780, A321 72~ CARAVAN E20 73~76 CLIPPER T650 66~ SKYLINE GC106, 230, C10 68~ PATROL J-G60 (P40) 79~80 J-FG61 (PF40) 80 BUS 60, G60, 4W73, G681, FS681, E690 66~ GLORIA A-K330 75 FAIRLADY 30, 110, 130 72~75 LAUREL KC30, KPC30, C30, 130 68~74 PRESIDENT C80, 250A, 250AC 73~ CEDRIC 130, GC106, 230, 31, 41, L20 64~ A330, V330 75~ VAN V430 (L20S) 81 PULSAR VAN 1200 J-VN10 (A12S) 79~81 1400 J-NHN10 (A14S) 79~80	
	SUBARU(FUJI) LEONE 1400 A22A, A22, A22B, A25B, A62B, A65B 73~ 1200, 1400 A22C, A22J, A25C 75~ COUPE 1400 A22S, A22A 71~ VAN 1200, 1400, 1600, 1800 77~ A33 (EA63, EA71) FF-1 1300G A44A, A15A, A14, A15Z 70~ 1000 A14, A15Z 70~	
	4461-1340 HI 44J80-13401 HI	
4NC-89 	0.22μF 22102-U6001 22102-U6002 22102-U6003 22102-U6004 30108-657-005	NISSAN(DATSUN) SKYLINE GC110, 111, G610, C211, 331 75~ SILVIA S10 76~ LAUREL A-GC110, HC130, HC131 75~ C-HC230 76~77 JUNIOR C240R, C240PR, HC240WR 75~ CARAVAN VPE20, VSE20 77~ STANZA E-PA10E BLUEBIRD U GC100, G610, C331 76~ C-P810, C-PJ810, E-P811, PG810E, FAIRLADY A-S30, A-GS30 (L20E) 76~78 S30, GS30 76~ SUNNY B211, 310 (A12A, A14) 76~ FF1300 E-B11 (E13S) 1500 E-PB310 (A15S, A15E) CALIFORNIA E-HB310 (A14E) 79 CEDRIC, GLORIA N230P 75~ PULSAR YN10, E-HN10, E-YN10, (A12A, A14S, A14E) 77~ 1300 E-PN12 (M/T) (E13S) 82 CHERRY F11, PF10, PF11, KPF10A-KPC20 74~ VIOLET 710, P710E, PA10 75~ AUSTER 710, PA10 75~
		44A4-13403 HI 44A4-13404 HI 44A4-13405 HI T315T23571 MI

DISTRIBUTOR CONDENSERS

New-Era No.	Ref.No.	Application
4NC-92 0.25μF 	90099-52076	TOYOTA CORONA 1800 AT151 (1SL) 83~ COROLLA AE80EX, 82E (2AL, 4AL) 83~
4NC-95 0.22μF 	22102-01M11	NISSAN(DATSUN) DATSUN 720 D21 (Z20) 85~
4NC-8725 0.25μF 		HONDA ISUZU NISSAN(DATSUN) SUBARU(FUJI) 4NC-87 TYPE OPEN CLIP

NOISE CONDENSERS

New-Era No.	Ref.No.	Application
NCM-905 (150V 0.5μF) 