

A Happy New Year!
恭贺新禧!
¡Feliz Año Nuevo!



A Happy New Year!!

We trust you spent wonderful holiday and a happy new year with your family.

And we would very much like to express our appreciation for your continued patronage to **New-Era** products over a period of year.

We, **New-Era**, make the year 2016 as the beginning of change in our company. In 2015, we refreshed our company structure, and had accomplished to put the right person in the right place. We will keep following the good custom and will change the unsuitable custom. We will go forward for our goals based on our motto “Full speed ahead in Everything”, so we would appreciate your continued cooperation.

We hope that the year of 2016 will be happy and successful for you and your family.

新年快乐，心想事成。

我们非常感谢跟您与您们的家人一起迎来新年。谢谢你们长久以来惠顾 **New-Era** 的产品。

我们 **New-Era** 以 2016 年为变革的一年。去年我们更新公司的体制让员工各得其所。继承良习，改善恶习。做任何事都以效率为先，今后也请多关照。

祝您与您的家人这一年过得喜庆。

¡Feliz Año Nuevo!

Esperamos que hayan tenido unas felices fiestas y un buen comienzo de año junto a su familia. También nos gustaría expresar nuestro agradecimiento a Uds. por su continuo apoyo brindado a lo largo de toda nuestra relacion comercial.

Nosotros, **New-Era**, consideramos el año 2016 como el año del inicio de las reformas en nuestra empresa. En 2015, reorganizamos la estructura de nuestra empresa, colocando las personas correctas en los sitios apropiados. Seguiremos las buenas costumbres y corregiremos las inadecuadas. Haremos nuestros mejores esfuerzos bajo el lema de «la rapidez es la clave para todo»,

Agradecemos de antemano por su continuo y gran apoyo.

Deseamos que el año 2016 les traiga mucha felicidad a Uds. y sus familias.

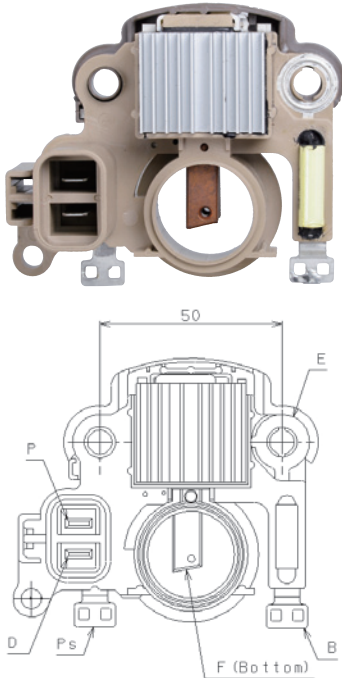

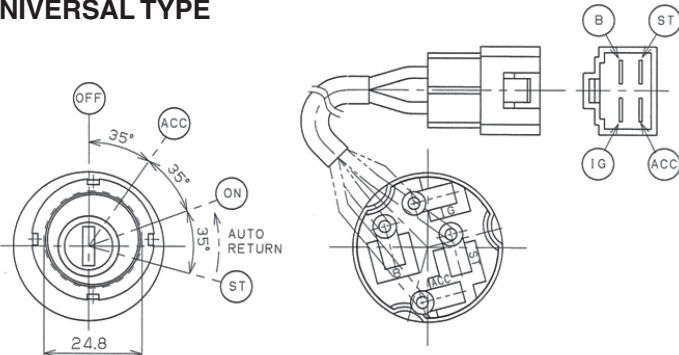
宮下 浩
Hiroshi Miyashita, President

<http://www.newera.co.jp/>


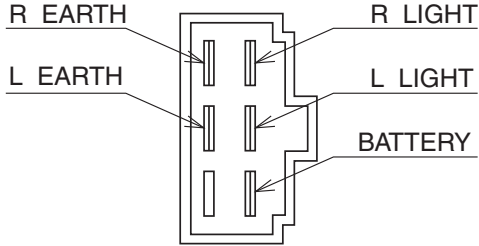
New-Era Co., Ltd.



NEW PRODUCTS NP-236

| Illustration | Ref. No. | Application | On Sale | | | | | | | | | | | | | | | | | | | | | | | | | | | | | |
|---|---|---|-----------------------|-----|-----|-----|----|-----|--|---|---|---|---|-----|--|---|---|---|---|----|--|---|---|---|---|----|--|---|---|---|---|-----------------------|
| <p>IVR-990 12V</p>  | <p>F82M-18-W70 (A866X52172)</p> <p>ALTERNATOR 12V 70A F82M-18-300A (A002TC0591) F82M-18-300B (A002TC0591A)</p> <p>50PCS./CARTON CARTON SIZE: 44×44×15cm (0.02904m³) G/W:7.0kg</p> | <p>MAZDA</p> <p>TITAN DASH SYE4T,SYE6T (EF) '02~</p> <p>BONGO TRUCK SK82L,SK82T (F8) '02~</p> <p>BONGO VAN SK82M,SK82V (F8) '02~</p> <p>BONGO BRAUNY SKE6V (EF) '02~</p> | <p>FEB.'16</p> | | | | | | | | | | | | | | | | | | | | | | | | | | | | | |
| <p>NIG-004 12V</p>  | <p>UNIVERSAL TYPE</p>  <table border="1" data-bbox="959 1342 1425 1527"> <thead> <tr> <th>P</th> <th>T</th> <th>BAT</th> <th>ACC</th> <th>IGN</th> <th>ST</th> </tr> </thead> <tbody> <tr> <td>OFF</td> <td></td> <td>—</td> <td>—</td> <td>—</td> <td>—</td> </tr> <tr> <td>ACC</td> <td></td> <td>○</td> <td>○</td> <td>—</td> <td>—</td> </tr> <tr> <td>ON</td> <td></td> <td>○</td> <td>○</td> <td>○</td> <td>—</td> </tr> <tr> <td>ST</td> <td></td> <td>○</td> <td>—</td> <td>○</td> <td>○</td> </tr> </tbody> </table> | P | T | BAT | ACC | IGN | ST | OFF | | — | — | — | — | ACC | | ○ | ○ | — | — | ON | | ○ | ○ | ○ | — | ST | | ○ | — | ○ | ○ | <p>MAR.'16</p> |
| P | T | BAT | ACC | IGN | ST | | | | | | | | | | | | | | | | | | | | | | | | | | | |
| OFF | | — | — | — | — | | | | | | | | | | | | | | | | | | | | | | | | | | | |
| ACC | | ○ | ○ | — | — | | | | | | | | | | | | | | | | | | | | | | | | | | | |
| ON | | ○ | ○ | ○ | — | | | | | | | | | | | | | | | | | | | | | | | | | | | |
| ST | | ○ | — | ○ | ○ | | | | | | | | | | | | | | | | | | | | | | | | | | | |

CORRECTION

| | | |
|---|--|---|
| <p>FLS-105 24V</p>  <p>200PCS./CARTON CARTON SIZE: 53×28×40cm(0.05936m³)</p> | <p>1-83470052-0 (066500-3251) 8-97358840-1 (066500-5631)</p> | <p>ISUZU ELF</p> <p>NKR,NKS,NPR,NPS</p>  |
|---|--|---|