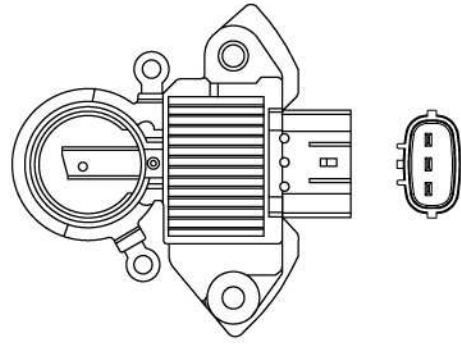


IVR-9XXXX



IVR-9000

This checker, CN-100/101, can't inspect IVR-9000 due to its unique circuit design.
Use CN-002, regulator-less alternator checker, in order to inspect the IVR-9000 installed alternater

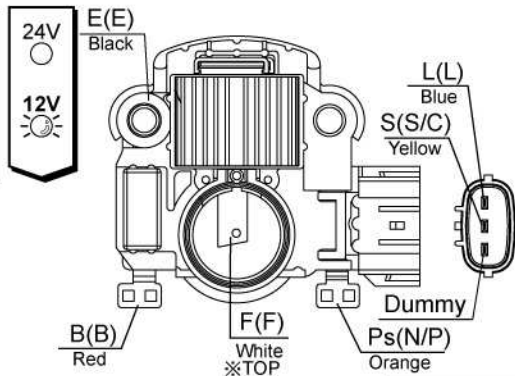


Connect IVR

IVR-9001

LA	S&Dummy	Choke Drive	T off	R1	R2
<input checked="" type="checkbox"/>	C off <input type="checkbox"/>	<input checked="" type="checkbox"/>	<input checked="" type="checkbox"/>	Off <input type="checkbox"/>	Off <input type="checkbox"/>
LB	C on	No Choke Drive	T on	Step1 Skip	B-T Short

STEP1 : Charge Lamp
STEP2 : Choke Drive
Regulated voltage **14.0V~15.1V**■



Connect IVR

LA	S&Dummy	Choke Drive	T off	R1	R2
<input checked="" type="checkbox"/>	C off <input type="checkbox"/>	<input checked="" type="checkbox"/>	<input checked="" type="checkbox"/>	Off <input type="checkbox"/>	Off <input type="checkbox"/>
LB	C on	No Choke Drive	T on	Step1 Skip	B-T Short

STEP1 : Charge Lamp
STEP2 : Choke Drive
Regulated voltage■

Connect IVR

LA	S&Dummy	Choke Drive	T off	R1	R2
<input checked="" type="checkbox"/>	C off <input type="checkbox"/>	<input checked="" type="checkbox"/>	<input checked="" type="checkbox"/>	Off <input type="checkbox"/>	Off <input type="checkbox"/>
LB	C on	No Choke Drive	T on	Step1 Skip	B-T Short

STEP1 : Charge Lamp
STEP2 : Choke Drive
Regulated voltage■

Connect IVR