
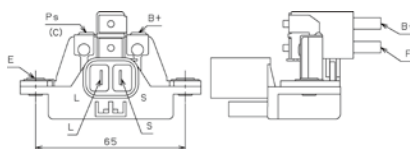
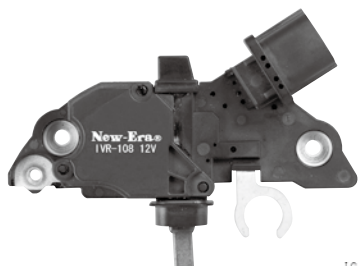
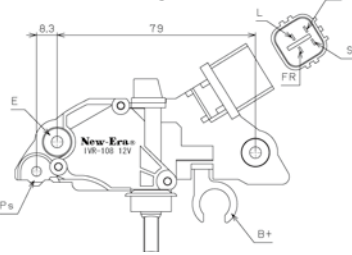
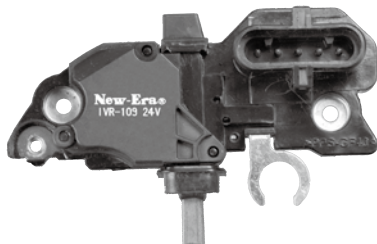
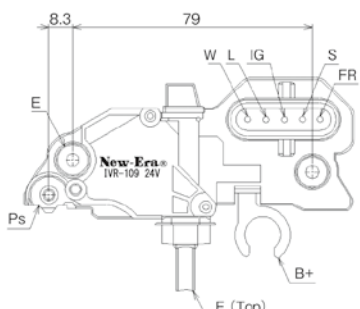



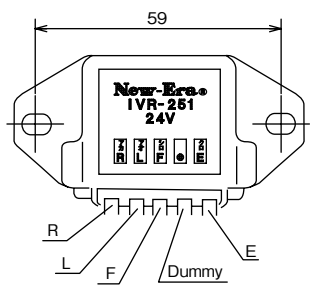

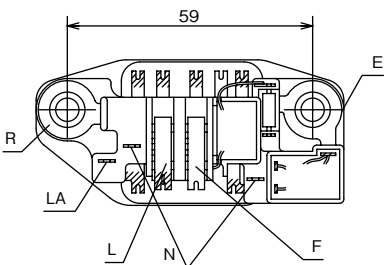

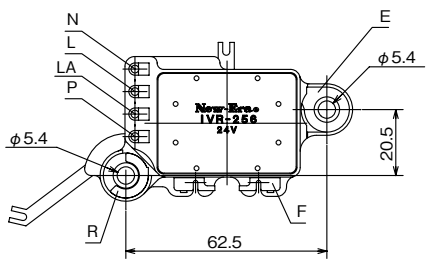
# VOLTAGE REGULATORS

VOLTAGE REGULATORS

New-Era No.	Ref.No.	Application
<b>IVR-107</b>  	<b>AC12V</b> 9-191-067-049 9-191-067-059 27700-8Y002 27700-YA020 27700-YA050	<b>TOYOTA</b> CAMRY (Australia) SXV10(5SFE) 98~01
<b>IVR-108</b>  	<b>AC12V</b> 27700-0L020  <b>F00M-145-236 BO</b> <b>F00M-145-305 BO</b> <b>F00M-145-324 BO</b> <b>F00M-145-376 BO</b> <b>F00M-145-865 BO</b> <b>F00M-145-873 BO</b>	<b>TOYOTA</b> HILUX VIGO (2KD-FTV) HILUX(LATIN AMERICA) KUN2#,KUN3# (1KD-FTV, 2KD-FTV) GGN25 (1GR-FE) 05~06, 08~ INNOVA/KIJANG(INDIA) KUN40 (2KD-FTV) 08~ FORTUNER(INDIA) KUN51 (2KD-FTV) 05~08 (LATIN AMERICA) GGN50/60 (1GR-FE) 09~ (LATIN AMERICA(EXCEPT ECUADOR,COLOMBIA)) KUN51/61 (1KD-FTV) 08~ CAMRY(AUSTRALIA) ACV36 (2AZ-FE) 05~06, 08~ MCV30/36 (1MZ-FE) 02~ AVALON MCX10 (1MZ-FE) 02~ AVENSIS AZT250 (1AZ-FE) 01~ COROLLA ZZE11# (3ZZ-FE,4ZZ-FE) 03~ 04~07
<b>IVR-109</b>  	<b>AC24V</b> <b>F00M-144-103 BO</b> <b>F00M-144-119 BO</b> <b>F00M-145-246 BO</b> <b>F00M-145-297 BO</b>	<b>mitsubishi</b> CANTER <b>VOLVO TRUCK</b> FH, FM <b>VOLVO BUS</b> B12 <b>IVECO TRUCK</b> <b>RENAULT TRUCK</b> <b>EURO CARGO TRUCK</b> <b>JOHN DEERE</b> <b>CASE</b> WHEEL LOADER <b>NEW HOLLAND</b> WHEEL LOADER <b>KOBELCO</b> WHEEL LOADER <b>DAF</b> CF65, LF45, LF55


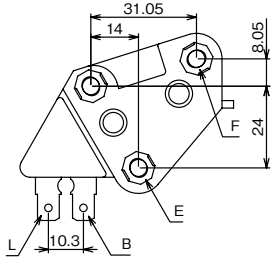

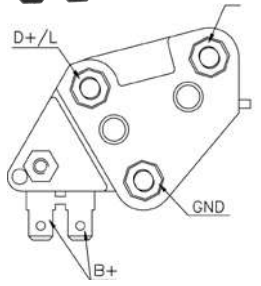
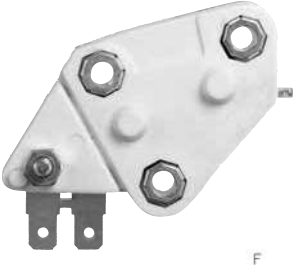
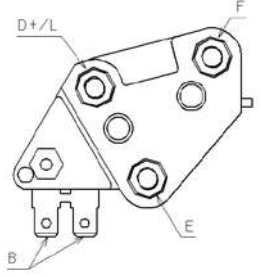
# VOLTAGE REGULATORS

VOLTAGE REGULATORS

New-Era No.	Ref.No.	Application
<b>IVR-251 AC24V</b>  	<b>27700-1370</b> <b>27700-1510</b> <b>23500-99005</b>	<b>HINO</b> MIDDLE TRUCK EH500,EH700,EL100 80~83 W04D,H06C,H06CT,H07C 83~ HEAVY DUTY TRUCK EK100,EF550,EF750 81~ EP100 84~ BUS W06D 83~ AIR SERVO EL100 81~ SNOW-PLOW EF750 82~ ENGINE UNIVERSAL USE W04C-T1 84~
		<b>MITSUBISHI</b> CONSTRUCTION MACHINE S6A 82~
<b>5 TERMINALS</b>	<b>1291-004-00 SF</b> <b>1291-005-00 SF</b>	<b>NISSAN</b> HEAVY DUTY TRUCK PE6,PE6T,RD8 79~ RE8 82~ HEAVY DUTY TRUCK(OPTION) RD10 79~83 BUS PE6H 79~ RD8 80~ PD 84~ BUS (OPTION) PE6 80~ SNOW-PLOW PE6T 83~ CONSTRUCTION MACHINE PE6,PE6T,PE6A 84~ PE6TA
	<b>IVR-253 AC24V</b>  	<b>27700-1700</b> <b>27700-1990</b> <b>23500-Z9007</b>
<b>IVR-256 AC24V</b>  	<b>27700-1810</b> <b>23500-99109</b>	<b>NISSAN</b> TRUCK PF6,RF8,RE8,RE10, 89~ RF10,U-CK,U-CG,U-CV,U-CW FE6B,FE6T 90~ CM,CL,CP TRUCK FE6A,FE6B,FE6T,CM,CL 90~ NF6TA,PE6T,PF6TA (B) , 89~ U-CV,U-CK,U-CD,U-G FE6TA, 90~ CM,CL,CP
		<b>1291-008-00X0 SF</b> <b>1291-008-20X9 SF</b>
<b>1291-010-00X0 SF</b>	<b>NISSAN</b> LARGE TRUCK KC-CD 95~ (NF6TA,RF8,RG8,RF8TA,RH8) KC-CG 95~ (NF6TA,RF8,RG8,RF8TA,RH8) KC-CW 95~ (NF6TA,RF8,RG8,RF8TA,RH8) MIDDLE TRUCK MK260 (MD92) 95~ MK211 (FE6E) 95~	

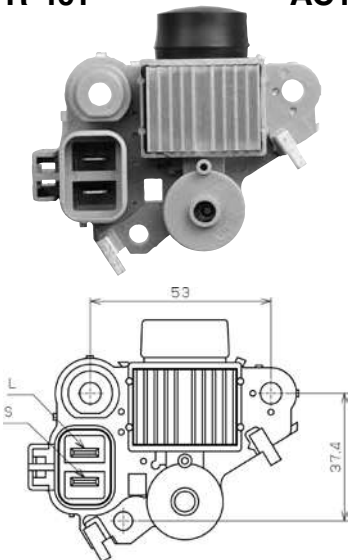
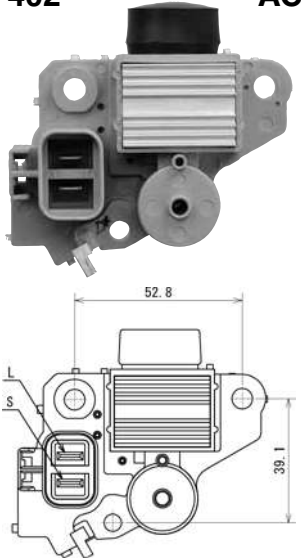
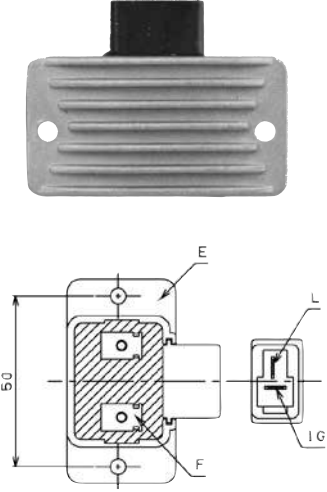
# VOLTAGE REGULATORS

VOLTAGE REGULATORS

New-Era No.	Ref.No.	Application
<b>IVR-301</b>  	<b>AC12V</b> 8125176 1116380 1116384 1116385 1116387 1116387H 1116423 3472406 7846932 3472406	<b>DELCO REMY</b> 10,12 & 15SI
<b>IVR-302</b>  	<b>AC24V</b> 1116388 1116404 1116405 1894460	<b>DELCO REMY</b> 10SI Type 116 20SI 21SI 22SI 23SI 26SI 27SI Type 200 29SI 30SI 33SI
<b>IVR-303</b>  	<b>AC12V</b> 1116406 1116407 1116435 1894489	<b>DELCO REMY</b> 10SI 20SI 21SI 26SI 29SI 30SI

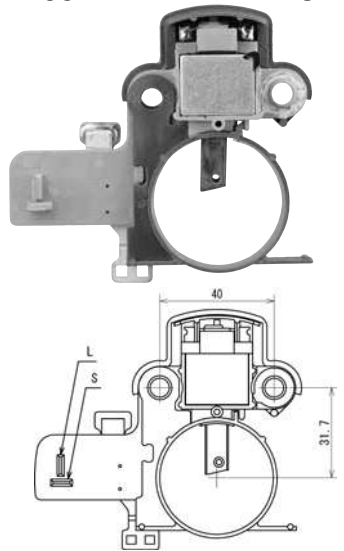
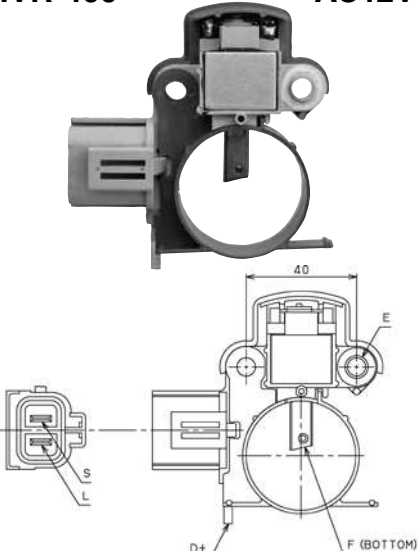
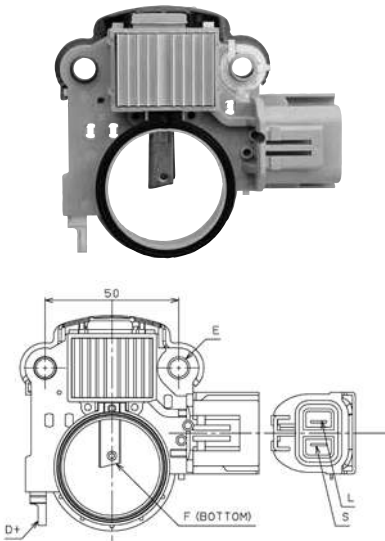
# VOLTAGE REGULATORS

VOLTAGE REGULATORS

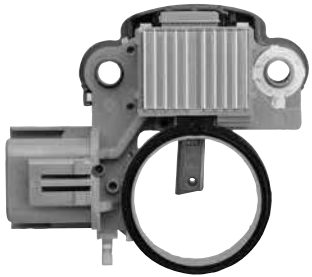
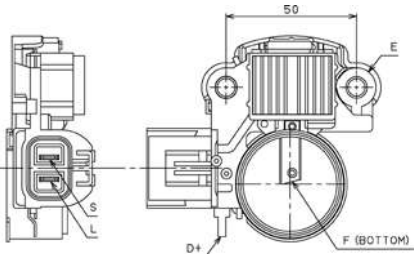
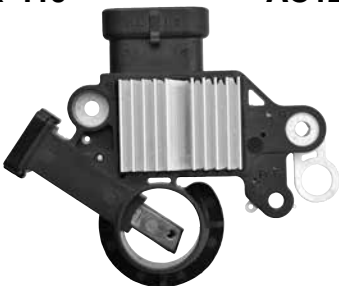
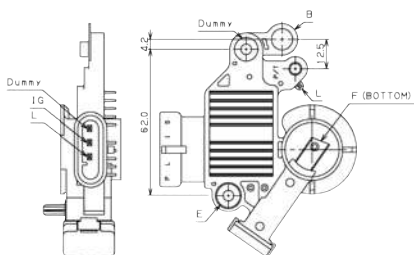
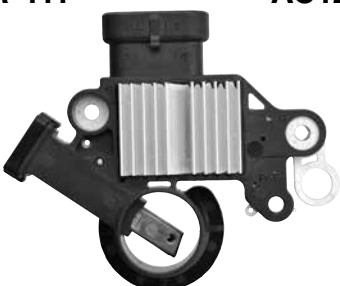
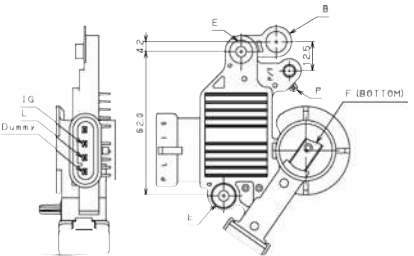
New-Era No.	Ref.No.	Application
<p><b>IVR-401</b>      <b>AC12V</b></p> 	<p>37370-22600</p> <p>TA500-C09001 MN</p>	<p><b>HYUNDAI</b> ACCENT EF SONATA ELANTRA HYUNDAI COUPE LA VITA TIBURON TUCSON TUSCANI REGAL VERNA</p> <p><b>KIA</b> CARNES CLICK OPTIMA SPECTRA SPORTAGE</p>
<p><b>IVR-402</b>      <b>AC12V</b></p> 	<p>37370-22200</p>	<p><b>HYUNDAI</b> ACCENT AVANTE ELANTRA TIBURON</p>
<p><b>IVR-403</b>      <b>AC12V</b></p> 	<p>0K65B-18W63 0K71E-24520 0K711-24520</p>	<p><b>KIA</b> BONGO HI BESTA RETONA WIDE BONGO</p>

# VOLTAGE REGULATORS

VOLTAGE REGULATORS

New-Era No.	Ref.No.	Application
<p><b>IVR-405</b> <b>AC12V</b></p> 	<p>37370-42000 37370-42540</p>	<p>HYUNDAI GALLOPER GRACE PORTER H100</p>
<p><b>IVR-406</b> <b>AC12V</b></p> 	<p>0K72B-18-W63</p>	<p>HYUNDAI LIBERO STAREX</p> <p><b>KIA</b> CARNIVAL PREGIO</p>
<p><b>IVR-407</b> <b>AC12V</b></p> 	<p>37370-42300</p>	<p>HYUNDAI LIBERO STAREX STAREX CRDI TERRACAN</p> <p><b>KIA</b> SORENTO</p>

# VOLTAGE REGULATORS

New-Era No.	Ref.No.	Application
<p><b>IVR-408</b>                      <b>AC12V</b></p>  	<p>37370-47300 37370-47301</p>	<p>HYUNDAI LIBERO STAREX</p>
<p><b>IVR-410</b>                      <b>AC12V</b></p>  	<p>93740756 220007</p>	<p>CHEVROLET AVEO</p> <p>DAEWOO GENTRA KALOS</p>
<p><b>IVR-411</b>                      <b>AC12V</b></p>  	<p>93740775 93744610 220006 220407</p>	<p>CHEVROLET OPTRA</p> <p>DAEWOO KALOS LACETTI MAGNUS</p>

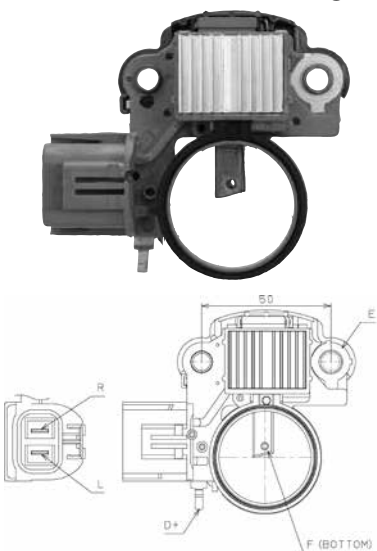
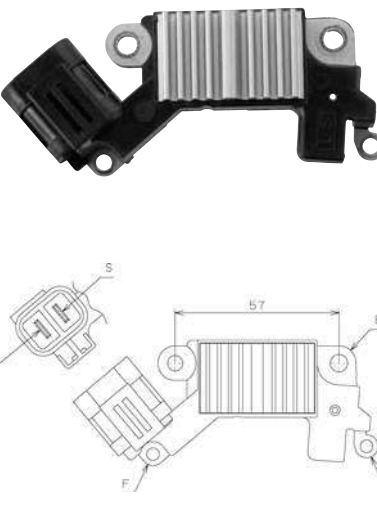
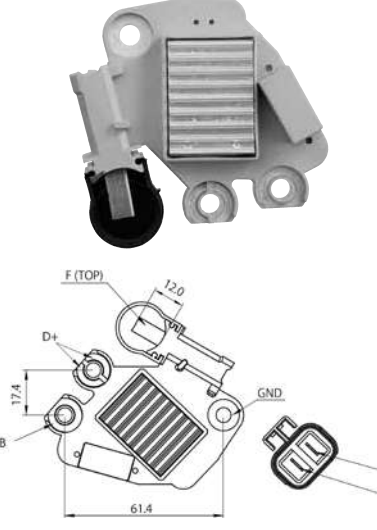
# VOLTAGE REGULATORS

VOLTAGE REGULATORS

New-Era No.	Ref.No.	Application
<p><b>IVR-412</b>      <b>AC12V</b></p>	<p><b>37370-02500</b></p>	<p><b>HYUNDAI</b>            ATOS 97~03            ATOS PRIME 99~            SANTRO 00~</p>
<p><b>IVR-413</b>      <b>AC12V</b></p>	<p><b>37370-22650</b></p>	<p><b>HYUNDAI</b>            CLICK 02~            GETZ 99~            TB 99~            ACCENT 01~            VERNA 00~            COUPE 01~            ELANTRA 08~            MATRIX 03~            LAVITA 00~            TIBURON 04~            TRAJET            TUCSON</p>
<p><b>IVR-414</b>      <b>AC12V</b></p>	<p><b>37370-4Z210</b>  <b>0K552-18-W63</b>  <b>0K552-24-520</b></p>	<p><b>KIA</b>            CARNIVAL            SEDONA</p>



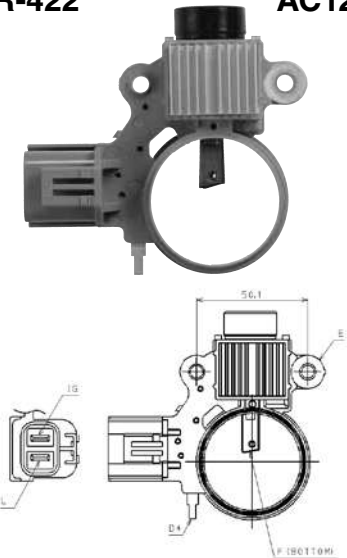
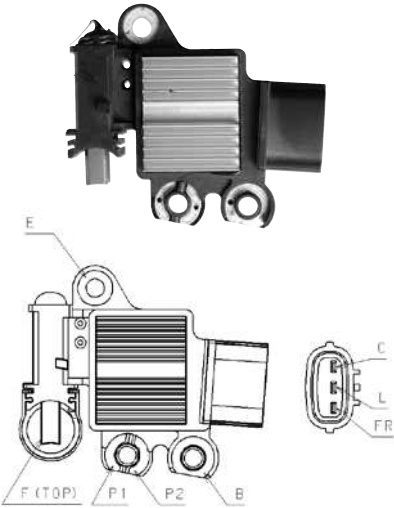
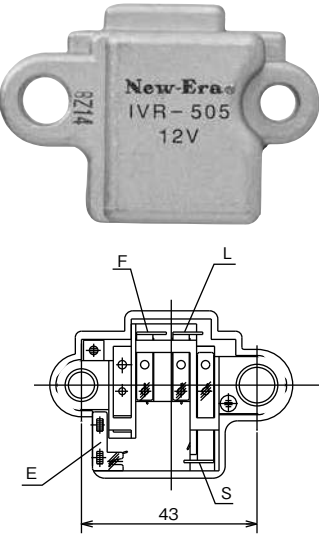
# VOLTAGE REGULATORS

New-Era No.	Ref.No.	Application
<p><b>IVR-417</b>      <b>AC24V</b></p> 	<p>37370-45050</p>	<p>HYUNDAI E-MIGHTY</p>
<p><b>IVR-419</b>      <b>AC12V</b></p> 	<p>37370-27011</p>	<p>HYUNDAI SANTA FE</p> <p>KIA BONGO III</p>
<p><b>IVR-421</b>      <b>AC12V</b></p> 	<p>37370-02550</p>	<p>KIA PICANTO MORNING VISTO</p> <p>HYUNDAI ATOS(ATOZ) PRIME</p>


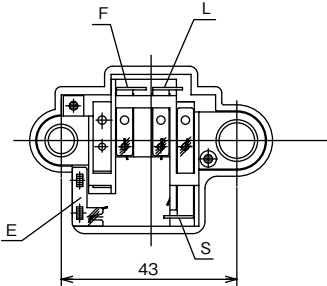
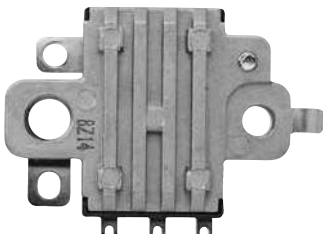
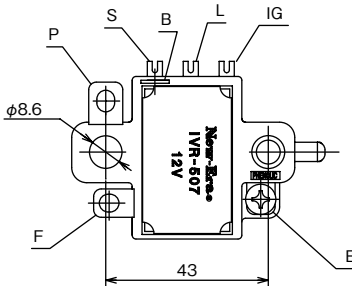
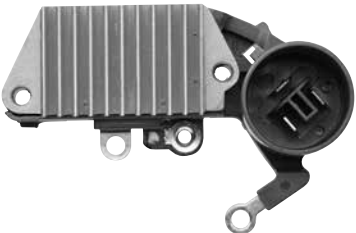
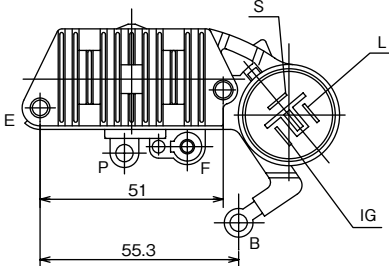


# VOLTAGE REGULATORS

VOLTAGE REGULATORS

New-Era No.	Ref.No.	Application		
<p><b>IVR-422</b>      <b>AC12V</b></p> 	<p>37370-45100</p>	<p><b>HYUNDAI</b> MIGHTY 2 COUNTY HD65 HD72</p>		
<p><b>IVR-424</b>      <b>12V</b></p> 	<p>37370-2B300</p>	<p><b>HYUNDAI</b> ACCENT AVANTE I30 VELOSTER</p> <p><b>KIA</b> SOUL FORTE PRIDE K3 RIO</p>		
<p><b>IVR-505</b>      <b>AC12V</b></p> 	<p>27700-57060 27700-64030</p> <p><b>126000-0180 ND</b> <b>126000-0770 ND</b></p>	<p><b>DAIHATSU</b> CHARADE      E-G11(CB12,33,34,22)      83~ CHARADE DIESEL      N-G30(CL10)      83~</p> <p><b>ISUZU</b> ELF      NKR      88. 6~</p> <p><b>TOYOTA</b> CORONA      CT141(2C)      86. 6~91.1 CORONA      CT141(2C)      91. 1~ MARK II      LX70(2L,2L-T)      84. 8~88.8 MARK II      LX70Y(2L)      84. 8~88.8 CHASER      LX70(2L,2L-T)      84. 8~88.8 CHASER      LX70Y(2L)      84. 8~88.8 CRESTA      LX70(2L,2L-T)      84. 8~88.8 CRESTA      LX70Y(2L)      84. 8~88.8 CARINA      CT150MT(2C-L)      84. 5~88.4 CARINA      CT150AT(2C-L)      85.10~88.4 CAMRY      CV20MT(2C-T)      87.10~88.8 VISTA      CV20MT(2C-T)      87.10~88.8 CAMRY      CV20AT(2C-T)      87.10~88.8 VISTA      CV20AT(2C-T)      87.10~88.8</p>		

# VOLTAGE REGULATORS

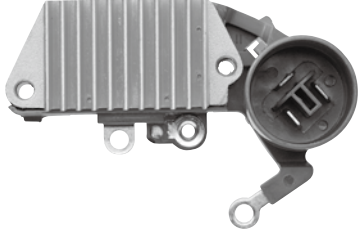
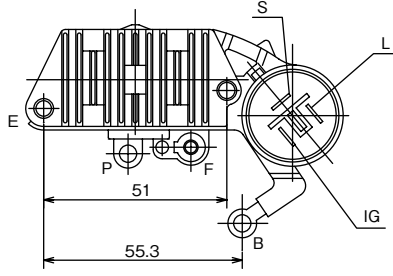
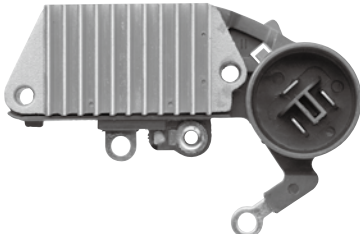
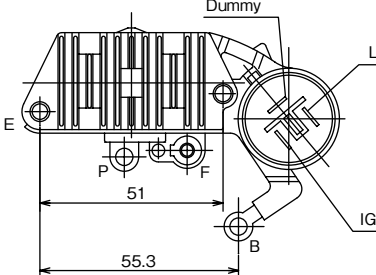
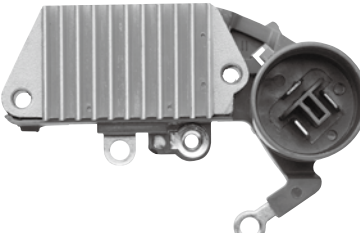
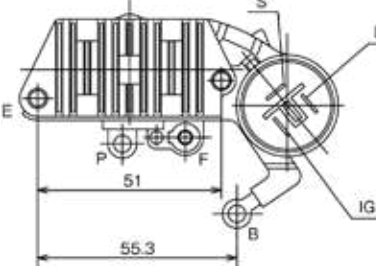
New-Era No.	Ref.No.	Application
<b>IVR-506</b> <b>AC24V</b>  	<b>27700-57051</b>            <b>126000-0200 ND</b> <b>126000-0260 ND</b> <b>126000-0810 ND</b>	<b>ISUZU</b> FORWARD P-FR12(6BG1) 84~  <b>MAZDA</b> TITAN4100 K-WEX,WEY,WEZ(2B) 80~ K-WE11D,N-WE14L,T 84~ K-WE17T  <b>TOYOTA</b> LAND CRUISER BJ71,74V(13B-T) 85.10~90.1 LAND CRUISER HJ60V(2H) 85.10~89.1 LAND CRUISER HJ61V(2H) 85.10~89.1 COASTER BB2#,3#(3B) 82.5~88.8 COASTER HB30(2H) 82.5~90.1 COASTER HB31(12H-T) 85.10~90.1
<b>IVR-507</b> <b>AC12V</b>  	<b>27700-64040</b> <b>27700-64110</b> <b>8-97288978-0</b>            <b>126000-0920 ND</b> <b>126000-1460 ND</b>	<b>TOYOTA</b> CORONA,CARINA CT170(2C) 87~92 CT176V(2C) 87~92 COROLLA,SPRINTER CE90(1C) 87~ CE96V(1C) 89~ CE97G(1C) 89~ CAMRY,VISTA CV20(2C-T) 88~ CAMRY,VISTA CV30(2C-T) 91~92 CROWN LS130(2L,-T,-THE) 87~89 HIACE LH51G(2L,2L-T) 87~89 LH51V(2L) 87~89 LH80(2L) 88~92 LH80VH(2L) 91~ HI-LUX LN130G(2L-T) 89~ LN131V(3L) 89~ DYNA,TOYOACE(Refrigerator) LY50,60(2L) 87~ LY5#(2L) 88~ LY6#(3L) 88~ LY51,61(3L) 91~  <b>ISUZU</b> D-MAX
<b>IVR-510J</b> <b>AC12V</b>  	<b>31150-PDI-004</b> <b>27700-63020</b> <b>27700-63021</b> <b>27700-72040</b>            <b>126000-0340 ND</b> <b>126000-0400 ND</b> <b>126000-0510 ND</b>	<b>DAIHATSU</b> DELTA WIDE E-YB21B(3Y-EU) 83~  <b>HONDA</b> ACCORD 1800 E-AD(ES) 83~ 1600 E-AC(EY) VIGOR 1800 E-AD CES CITY 1200 E-AA CER 82~  <b>ISUZU</b> FLORIAN ASKA E-JJ120,110(4ZC1,4ZB1) 83~  <b>TOYOTA</b> SOARER 2800 E-MZ11(5M-GEU) 84 2000 E-GZ10(1G-GEU) 83~ MARK II,CHASER 2000 E-GX61(1G-GEU) 82~84 1800 E-SX60(2Y-PU) 83~84 CRESTA 2000 E-GX61(1G-GEU) 82~84 E-MX61(M-TEU) 81~83 VISTA,CAMRY 2000 E-SV11(2S-ELU) 82~ 1800 E-SV10(1S-LU) 82~84 CORONA 1800 E-ST150(1S-LU) 83~ CELICA XX 2000 E-GA61(1G-GEU) 82~

VOLTAGE REGULATORS

CONTINUED

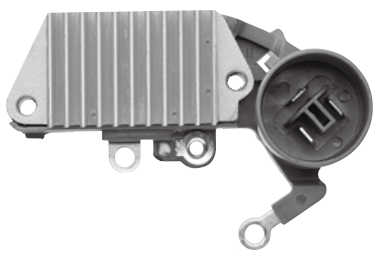
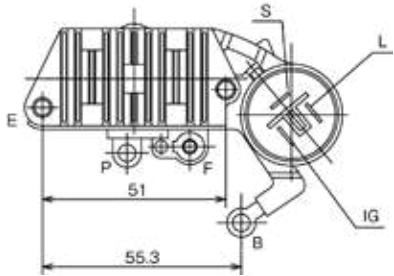
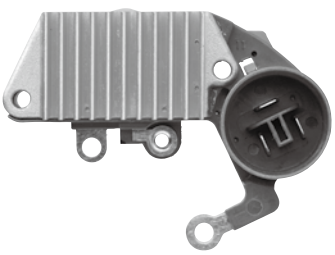
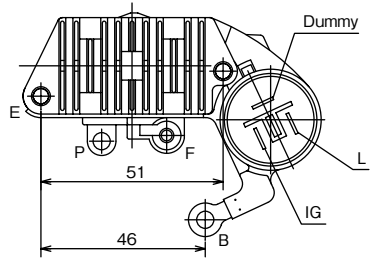
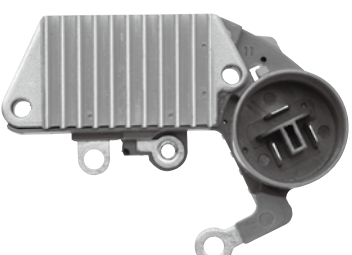
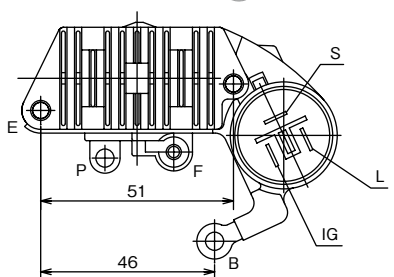
# VOLTAGE REGULATORS

VOLTAGE REGULATORS

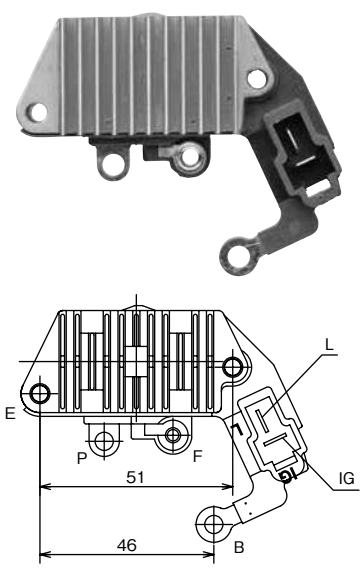
New-Era No.	Ref.No.	Application		
<b>IVR-510J</b>  	<b>AC12V</b> 31150-PDI-004 27700-63020 27700-63021 27700-72040	CARINA 1600 COROLLA,SPRINTER 1600 TOWNACE 2000 CELICA,SUPRA CRESSIDA CAMRY COROLLA,TERCEL COROLLA(FRONT WHEEL DRIVE) (REAR WHEEL DRIVE w/FUEL INJECTION)	E-AA63(4A-GEU) E-AE82(4A-ELU) E-AE86(4A-GEU) E-YR21G(3Y-EU) [USA] [USA] [USA] [USA] [USA] [USA] [USA]	83~ 83~ 83~ 83~ 84~ 84~ 83~ 85~ 84~ 85~
	126000-0340 ND 126000-0400 ND 126000-0510 ND			
<b>IVR-511J</b>  	<b>AC12V</b> 31150-PE0-003 32500-82610 96052000	<b>HONDA</b> BALLADE SPORTS  <b>SUZUKI</b> CULTUS  <b>GM</b> SPRINT	CR-X E-AE E-AF(EV,EW)	83~
	126000-0410 ND 126000-0430 ND			
<b>IVR-516</b>  	<b>AC12V</b> 31150-PD2-014 27700-10061 27700-16010 27700-54050 27700-70030 27700-76020	<b>HONDA</b> ACCORD  <b>TOYOTA</b> CROWN SOARER SUPRA SUPRA CORONA CELICA CELICA MR2 MR2 MARK II COROLLA  SPRINT TARCEL CAMRY CAMRY V6 HIACE LITEACE TOWNACE	CA2(B18A)  GS131(1G-GE) GZ20(1G-GTEU) GA70(1G-GTEU)  ST165(3S-GTE) ST165(3S-GTE) (4A-FE)  W/O POWER STRG GX70G(1G-EU) AE91(5A-FE) AE95G(4A-FE) (4A-FE) AE91(5A-FE)  YH62V(3Y) YM30G(3Y-U) YM40G(4Y-U)	85~88  87~88 86~88 87~88 88~92 87~89 86~89 90~92 89~91 92 86~88 88~89 88~90 90~92 88~89 90~91 90~91 88~89 87~89 86~88 86~88
	126000-0610 ND 126000-0731 ND 126000-0732 ND 126000-0700 ND 126000-1450 ND 126000-1530 ND 126000-7090 ND			

CONTINUED

# VOLTAGE REGULATORS

New-Era No.	Ref.No.	Application
<b>IVR-516</b>  	<b>AC12V</b> 31150-PD2-014 27700-10061 27700-16010 27700-54050 27700-70030 27700-76020	MASTERACE VAN YR20G(2Y-U) 86~ YR20G(2Y-U) 86~ PICK-UP 4RUNNER 4CYL 90~91 PICK-UP 4RUNNER 4X4 89 88~89
	126000-0610 ND 126000-0731 ND 126000-0732 ND 126000-0700 ND 126000-1450 ND 126000-1530 ND 126000-7090 ND	
<b>IVR-517</b>  	<b>AC12V</b> 27060-87715-000 27700-87601-000 8-94455160-0 32500-86511 32500-60B11 32500-86510 96055618 96067082	DAIHATSU CHARADE ROCKY G102S MT G112S MT(HC-E) 90.11~93. 1 G100S MT,AT(CB37) 90.11~93. 1 G100S MT(CB70) 90.11~93. 1 F300S MT(HD-E) 92. 5~93. 8  ISUZU JEMINNET RODEO BIG HORN AA43Z(G10) 86. 7~ UBS12(4ZC1) 86. 9~ UBS25DW MT (6VD1) 92.10~  I-MARK  SUZUKI CULTUS AA33S,AB33S (G13B) 86. 6~88 .9  GM GEO SPECTRUM
	126000-0720 ND 126000-0721 ND 126000-0840 ND 126000-0850 ND	
<b>IVR-518</b>  	<b>AC12V</b> 27700-10050 27700-10080	TOYOTA LITEACE TOWNACE,LITEACE CORONA CARINA COROLLA,SPRINTER DYNA,TOYOACE DYNA,TOYOACE YM31V(2Y-J) 90.8~92. 1 YM-55,60(2Y) 89.1~ ET176V,MT(3E) 91.8~92.11 ET176V,MT(3E) 91.8~92.11 EE106V,MT(2E) 91.9~92. 5 YY51(2Y) 89.1~93. 9 YY52,61(3Y) 89.1~93. 9
	126000-0550 ND 126000-0980 ND 126000-1550 ND	

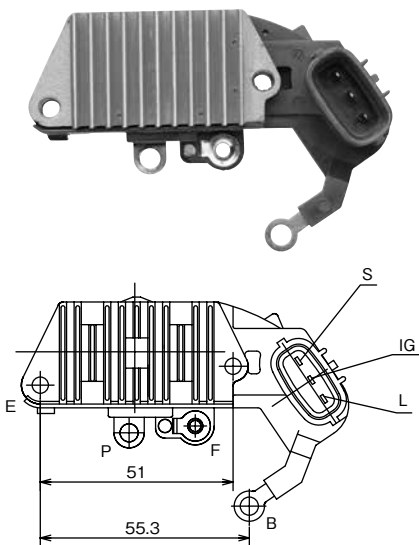
# VOLTAGE REGULATORS

New-Era No.	Ref.No.	Application
<b>IVR-522</b>	<b>AC12V</b>	<b>DAIHATSU</b>
		MIRA (KANCIL)
		L200(EF-CL) 90. 3~
		L200(EF-HL) 90. 3~
		L210(EP-CL) 90. 3~
		L200(EF-XL) 90. 3~92.8
		L200 AT(EF-XL) 92. 8~
		L200 3AT(EF-JL) 90. 3~91.5
		<b>HONDA</b>
		TODAY
		JA1 CAB,JWZ CAB(E05A) 88. 2~90.2
		JA2 CAB,JA3 CAB(E07A) 90. 2~
		ACTY
		HA1 A/C,HA2 A/C
		HH1 A/C(E05A) 88. 5~
		HA3,HA4,HH3(E07A) 90. 4~
		<b>MAZDA</b>
		CAROL
		AA6PA(F6A) 90. 2~
		AA6RA(F6A) 90. 2~
		<b>MITSUBISHI</b>
		MINICAB
		U14T,U14TP,U14V
		U15T,U15V(3G81) 87. 5~
		U41T,U41TP,U42T-PS,
		U41V SOHC MT,U41V SOHC AT,
		U41V DOHC AT,U41V DOHC TBO MT,
		U41V DOHC TBO AT,
		U42V SOHC MT,U42V SOHC AT,
		U42V DOHC AT,U42V DOHC TBO MT,
		U42V DOHC TBO AT(3G83) 90.12~
		<b>SUBARU</b>
		REX
		KH1,KH1-PS,KH1-AC(ENO5A) 89. 6~
		KH3-AC,KH3-PS,KP3-AC,KP3-PS,
		KP4-AC,KP4-PS(ENO7A) 90. 4~
		VIVIO
		KK3 PS,KK4 PS,KW3 PS(ENO7) 92. 3~
		<b>SUZUKI</b>
		CARRY
		DA41V,DB41V(F5B) 89. 5~
		EVERY
		DA51V,DB51V(F6A) 90. 3~
		CERVO
		CG72V(F5B) 80. 1~
		CH72V(F5B) 88. 1~
		CN31S,CP31S(F6B) 90. 7~
		FRONTE
		CN11S,CP11S(F5B) 88. 9~
		ALTO
		CL11V(F5B) 88. 9~
		CL11S SE,CP11S SE
		CP11S SM(F5B) 89.10~90.2
		<b>IHI</b>
		S753 93. 7~
		<b>ISEKI</b>
		TRACTOR TU185
		(E3AF1-DO1K) 86. 8~
		TU205(E3AF1-DK) 86. 8~
		TU225(E3AF1-DO1K) 86. 8~
		<b>KUBOTA</b>
		TRACTOR
		A35(D100) 88. 8~
		TRACTOR
		F2402(D100) 88.11~
		<b>TOYOTA</b>
		SHOVEL LOADER(DIESEL)
		3SDK3(3TN66) 87.12~
		3SDK4(3TNA68) 87.12~
		3SDK5(3TN82) 87.12~
		FORKLIFT FG5
		(AB) 91. 9~
		126000-0970 ND
		126000-0971 ND
		126000-1160 ND
		126000-0600 ND

# VOLTAGE REGULATORS

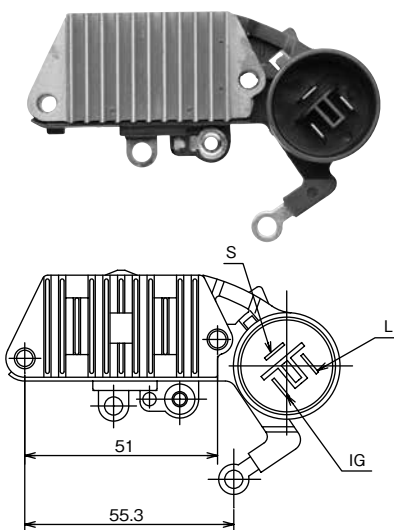
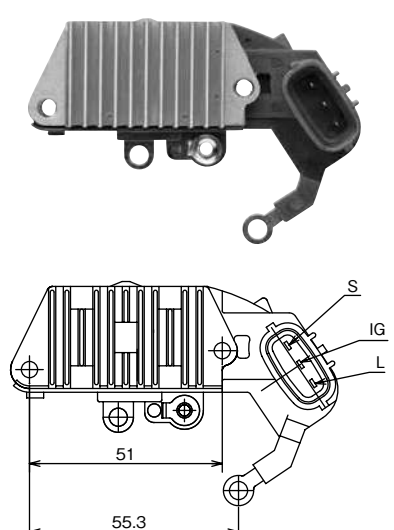
New-Era No.	Ref.No.	Application
<b>IVR-524</b>	<b>AC12V</b>	<b>TOYOTA</b>
		ARISTO UZS143(IUZ-FE) 92.10~ (LEXUS GS 300) CROWN UZS143,UZS145(IUZ-FE) 92.10~ UZS141,UZS147(IUZ-FE) 93.8~ CORSA·COROLLA II·TERCEL NL40(IN-T) 92.8~ NL50(IN-T) 94.9~ EL41AT(4E-FE) 93.5~ EL43AT(5E-FE,5E-FHE) 93.5~ STARLET NP80(IN) 92.1~ CORONA AT190AT,AT190MT (4A-FE) 92.2~92.3 CT190AT,CT190MT(2C) 93.2~ CT190YMT(2C) 92.11~ CT195(2C) 92.8~ ST180,ST181(4S-FE) 92.11~ ST182(3S-FE) 92.11~ COROLLA·SPRINTER AE100AT,AE100GAT,AE100MT, AE100GMT(5A-FE) 92.5~ AE101AT,AE101MT(4A-GE) 92.5~ AE104AT(4A-FE) 92.5~ MARK II·CHASER·CRESTA SX80MT(4S-FE) 93.2~ SX90AT,SX90MT(4S-FE) 92.10~ GX70GMT(IG-FE) 93.2~ GX90MT(IG-FE) 92.10~ MARK II·CHASER·CRESTA GX70GAT GX81AT(IG-FE) 93.2~94.9 GX90AT(IG-FE) 94.9~ CAMRY·VISTA VZV32,VZV33(4VZ-FE) 92.6~ SV30AT(4S-FE) 92.6~ CV30(2C-T) 92.6~ HILUX VZN130G(3VZ-E) 92.8~ LN130GAT,LN130GMT, LN130WAT, LN130WMT(2L-TE) 92.8~93.8 LN131V(3L) 92.8~93.8 LN108,LN112(2L-TE) 95.8~ KZN130GAT,KZN130WAT, KZN130GMT, KZN130WMT(IKZ-TE) 93.8~ WINDOM VCV10(3VZ-FE) 92.6~ (LEXUS ES 300) CARINA CT190AT(2C) 92.11~ MR2 SW20MT,SW20AT(3S-GE) 92.11~ SW20(3S-GTE) 92.11~ TOWN ACE·LITE ACE CR22G,CR29G(3C-T) 93.9~ CR31GAT,CR38GAT, CR31GMT(3C-T) 93.9~ YR21GMT,YR30G(3Y-EU) 93.9~ TOWN ACE·LITE ACE TRUCK CM55,CM60,CM61, CM65(2C) 93.10~ CM55SJL,CM65JL,TS, MT,AT(2C) 93.10~ TOWN ACE·LITE ACE V.W. CR27VAT (REFRIGERATOR CAR) CR36VMT(2C) 93.9~ UCF-10,UCF11(IUZ-FE) CELSIOR (LEXUS LS 400) 92.8~94.10 SUPRA JZA80MT(2JZ-GTE) 93.5~ SOARER UZZ31,UZZ32(IUZ-FE) 94.1~ HIACE LH129VMT,LH123VMT, LH119VMT,GL(3L) 93.8~ LH129S,(3L) 93.8~95.8 KZH126G,KZH116G,KZH120GAT, KZH111GAT(IKZ-TE) 93.8~ KZH120GMT(IKZ-TE) 93.8~95.8 LAND CRUISER HZJ81V(IHZ) 92.8~ HDJ81V(IHD-T) 92.8~95.1 HDJ81V(IHD-FT) 95.1~ HZJ75(IHZ) 92.12~ ESTIMA CXR21G,CXR20G, CXR11G(3C-TE) 93.8~95.1 CXR10G(3C-TE) 95.1~
126000-1580 ND 126000-1640 ND 126000-1660 ND 126000-1670 ND 126000-2050 ND 126000-2200 ND 126000-2290 ND 126000-7100 ND 126000-7110 ND		

VOLTAGE REGULATORS



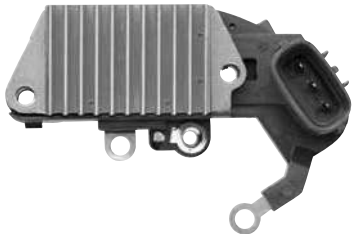
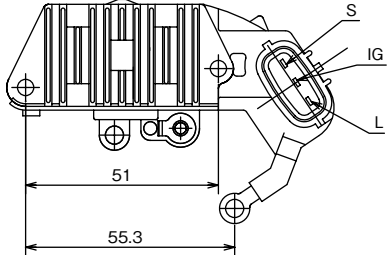
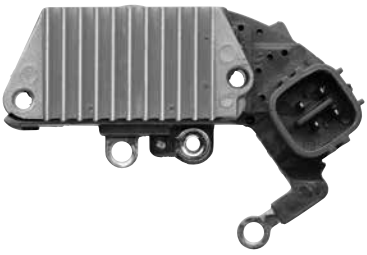
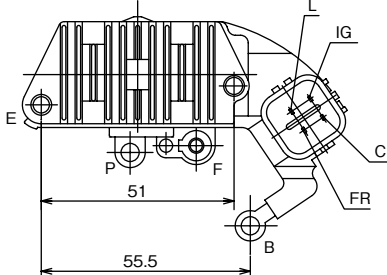


# VOLTAGE REGULATORS

New-Era No.	Ref.No.	Application
<b>IVR-527</b> <b>AC24V</b> 	<b>27700-58020</b>	<b>DAIHATSU</b>
		DELTA V98,98D,99(B) 88~ V115,116,118,119(14B) 88~93
		<b>HINO</b>
		RANGER HV98,98D,99(B) 88~ HV115,116,118,119(14B) 88~
		<b>TOYOTA</b>
		DYNA,TOYOACE BU60,BU70,70VH,83(B) 88~93 BU68DH(3B) 89~93 BU61,84(11B) 88~93 BU66,66D,66H,67,67D,87, 87V,88,91,94,96,73,74,78, 72,72D,72DH,72H(14B) 88~93 BU88,91,94,96(14B-T) 89~93 BB20,21(3B) 82~93 BB26V,31(3B) 88~93 BB23,24(14B) 88~93 HDB30,31(1HD-T) 90~93 HZB30,31(1HZ) 90~93 HZB36V(1HZ) 90~93 BJ70,70V,73V(3B) 88~90 HZJ73HV,73V,77HV(1HZ) 90~92 PZJ70,70V,77V,77HV(1PZ) 90~92
		<b>COASTER</b>
		<b>LAND CRUISER</b>
	<b>126000-7010 ND</b> <b>126000-7011 ND</b> <b>126000-2340 ND</b>	
<b>IVR-528</b> <b>AC24V</b> 	<b>27700-58040</b> <b>27700-58060</b>	<b>DAIHATSU</b>
		DELTA V98,98D(B) 93~95 BU100N(3B) 95~ V115,116,118,118D,119(14B) 93~95 BU102J,102N,102P,102U,107N, 112M,112N,112T,112U,142N,147N, 162J,162M,162N,162U,172N,212N, 222N(15B-F) 95~
		<b>HINO</b>
		RANGER BU100M(3B) 95~ BU102E,102M,102T,102X,107M, 112M,112T,112X,142M,147M,162M, 162T,162X,172M,182M,202M, 212M,222M(15B-F) 95~ XZU130(J05C) 95~96 BXD20(15B-FT) 96~
		<b>MEGA-CRUISER</b>
		<b>TOYOTA</b>
		DYNA,TOYOACE BU60,70V,70VH,83(B) 93~95 BU68DH(3B) 93~95 BU100,100A,120V,140(3B) 95~ BU61,84(11B) 93~95 DYNA,TOYOACE BU66,66D,66H,67,67D,72,72D, 72DH,72H,73,74,78,87,87V,88, 91,94,96(14B) 93~95 BU88,91,94(14B-T) 93~95 BU102,102A,102D,102H,107,112, 112A,112D,132,137,142,147,202,162, 162A,162D,172,182,212,222(15B-F) 95~ BU212,222(15B-FT) 95~ XZU130(J05C) 96~
		<b>DYNA/RHINO</b>
		<b>COASTER</b> HT-140(S05C) 02~ BB40,46V(3B) 93~ BB55(15B-F) 95~ HDB50,51(1HD-FT) 95~ HDB40,41,50,56(1HZ) 93~ HZB50,51(1HZ) 93~ <b>LAND CRUISER</b> HZJ70,70V,77HV(1HZ) 92~ PZJ70,70V,77V,77HV(1PZ) 92~94
	<b>126000-7120 ND</b> <b>126000-2390 ND</b>	



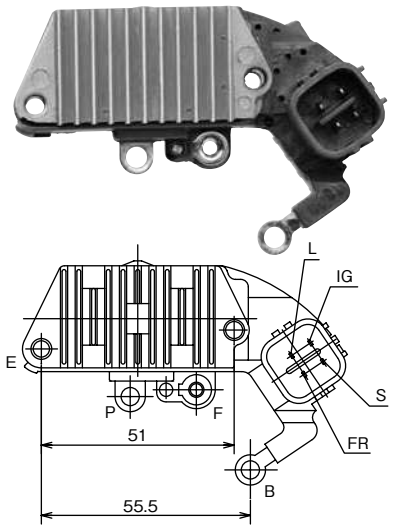
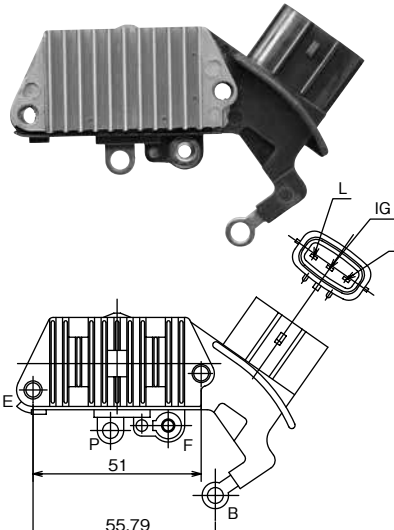
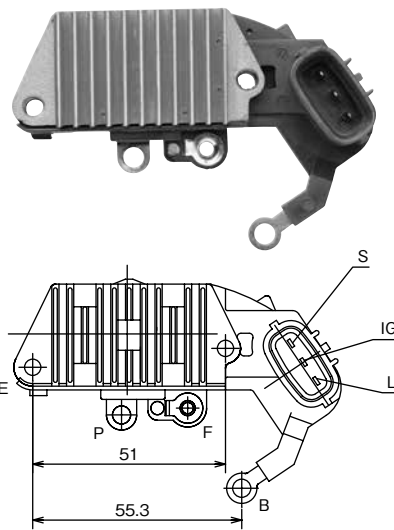
# VOLTAGE REGULATORS

New-Era No.	Ref.No.	Application
<b>IVR-529</b> <b>AC12V</b>  	<b>27700-11070</b> <b>27700-66040</b>	<b>TOYOTA</b> CARDINA COROLLA,SPRINTER  CORSA,COROLLA II  CYNOS  DYNA,TOYOACE  HIACE  LAND CRUISER MARK II CHASER QUICK DELIVERY SERA STARLET  TOWNACE,LITEACE
	<b>126000-1750 ND</b> <b>126000-1730 ND</b>	ET196V(5E-FE) 92~93 EE101(4E-FE) 92~95 EE102V(4E-FE) 97~ EE103V(5E-FE) 97~ EE104G(5E-FE) 97~ EE106V(2E) 92~94 EE107V(3E) 92~94 EE108G(3E) 92~94 EE111(4E-FE) 95~ EL41(4E-FE) 92~94 EL43(5E-FE) 92~94 EL43(5E-FHE) 92~94 EL45(5E-FE) 92~94 EL44(5E-FE) 92~95 EL44(5E-FHE) 92~95 RZU100(3RZ-FE) 95~97 RZU100A(3RZ-FE) 95~97 RZU100A(3RZ-FP) 95~97 RZU100H(3RZ-FP) 95~97 RZH100G(1RZ-E) 93~95 RZH112V(1RZ-E) 93~ RZH124B(1RZ-E) 93~ FZJ80G(1FZ-FE) 92~98 YX78V(3Y-E) 93~97 RZU68VH(3RZ-FP) 96~ EXY10(5E-FHE) 92~95 EP82(4E-FE) 92~96 EP82(4E-FTE) 92~93 EP-85(4E-FE) 92~93 EP91(4E-FTE) 96~ YM55(2Y) 93~ YR25V(2Y-J) 93~96
<b>IVR-535</b> <b>AC12V</b>  	<b>31150-P2T-0030</b> <b>31150-PV4-0030</b> <b>31150-PEA-A010M</b>	<b>HONDA</b> CR-X  CIVIC DOMANI  INTEGRA  ASCOT,RAFAGA  STEP WAGON  PRELUDE  INSPIRE SABER CR-V  S-MX  ACCORD  TORNEO  ORTHIA
	<b>126000-2090 ND</b> <b>126000-2160 ND</b> <b>126000-2610 ND</b>	EG2(B16A) 95~ EJ4(D16A) 95~97 EK4(B16A) 95~ MA4(ZC) 95~96 MA5(B18B) 95~97 MA6(ZC) 95~97 MA7(D15B) 95~97 DB8, DC2(B18C) 95~ DB6,DB9(ZC) 95~ CE4(G20A) 95~ CE5(G25A) 95~ RF1(B20B) 96~99 RF2(B20B) 96~99 BB5 96~98 BB7(F22B) 96~98 UA4(J25A) 01~02 UA4(J25A) 01~02 RD1(B20B) 95~97 RD2(B20B) 98~ RH1(B20B) 99~ RH2(B20B) 96~ CF3(F18B) 97~ CF4(F20B) 97~ CF5(F20B) 97~ CF6(F23A) 97~ CF7(F23A) 97~ CL3(F20B) 00~ CF3(F18B) 97~ CF4(F20B) 97~ CF5(F20B) 97~ CL3(F20B) 00~ CE5(G25A) 95~ EL1(B18B) 96~ EL2, EL3(B20B) 96~

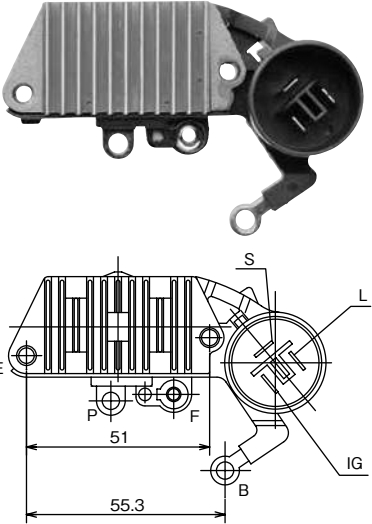
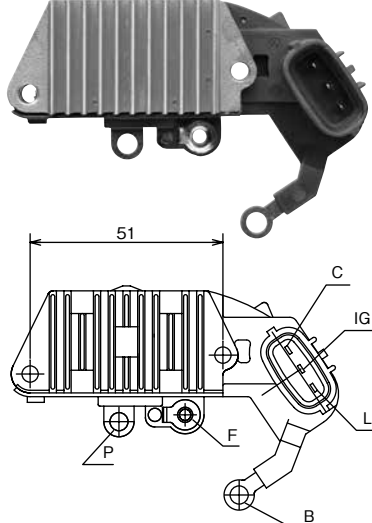
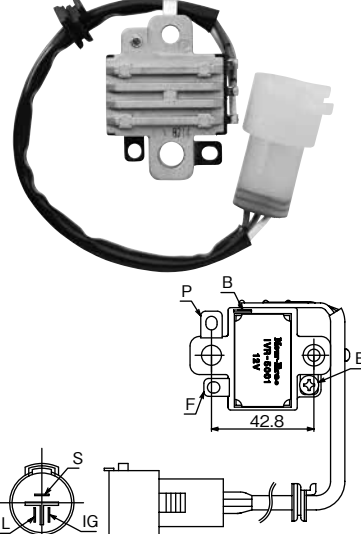
VOLTAGE REGULATORS

# VOLTAGE REGULATORS

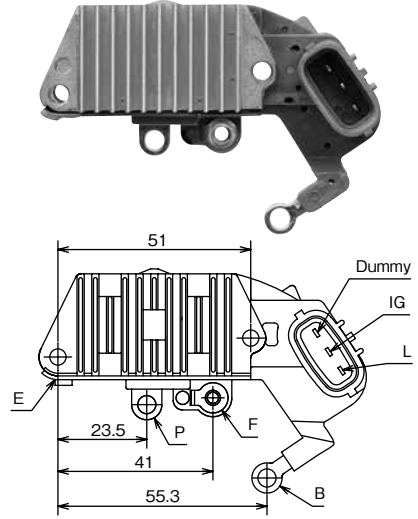
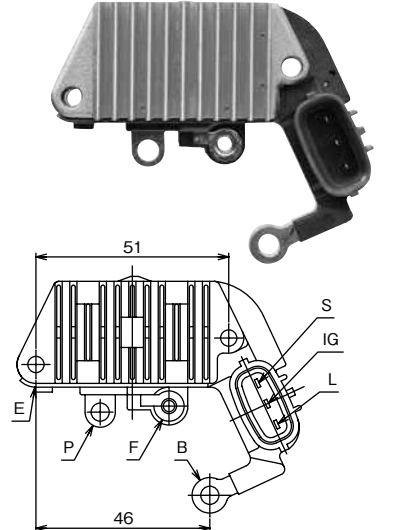
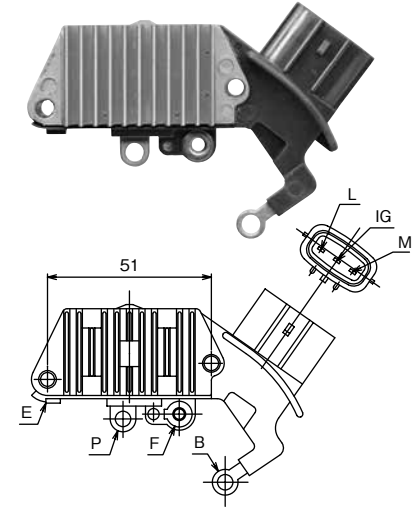
VOLTAGE REGULATORS

New-Era No.	Ref.No.	Application
<b>IVR-536</b> 	<b>AC12V</b> 31150-P5A-0030 31150-P5G-0030  126000-2190 ND 126000-2450 ND	<b>HONDA</b> LEGEND INSPIRE,SABER  KA9(C35A) UA3(G32A)  96~ 96~
<b>IVR-538</b> 	<b>AC12V</b> KJ01-18-W70 27700-62010  126000-1870 ND	<b>MAZDA</b> EUNOS800 MILLENIA  TA3A/3P/3Y/3Z(KJ-ZEM) 93~  <b>TOYOTA</b> ESTIMA  TCR10W(2TZ-FZE) 94~ TCR11W TCR20W TCR24W <b>IPSUM</b> CALDINA  CXM10G(3C-TE) 97~ CT190G(2C-T) 96~97 CT196V/198V(2C) 96~98 CT197V/199V(3C-E) 98~ CT216G(3C-TE) 97~ <b>CARINA</b> <b>CORONA</b> CT210/215(2C-T) 96~ CT210/215(2C-T) 96~97 CT211/216(3C-TE) 97~  <b>LEXUS</b> SC300 ES300
<b>IVR-543</b> 	<b>AC12V</b> 27700-35040 27700-40050 27700-50020 27700-50030 27700-54060 27700-65010 27700-74030 27700-74040 27700-74050  126000-1580 ND 126000-1640 ND 126000-1660 ND 126000-1670 ND 126000-2050 ND 126000-2200 ND 126000-2290 ND 126000-7100 ND 126000-7110 ND	<b>TOYOTA</b> CAMRY  SXU20 (MADE IN AUSTRALIA)  Same as IVR-524 Low Regulated Voltage 14.5±0.3V  95~98

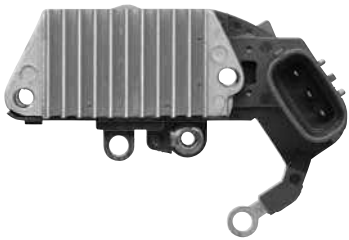
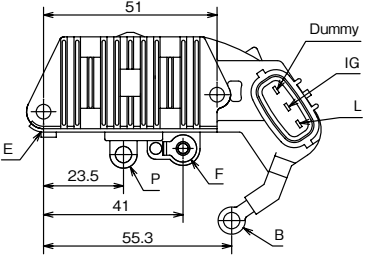
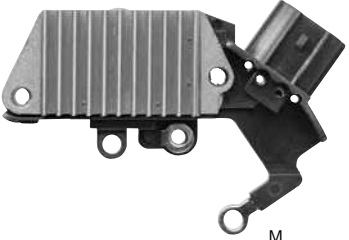
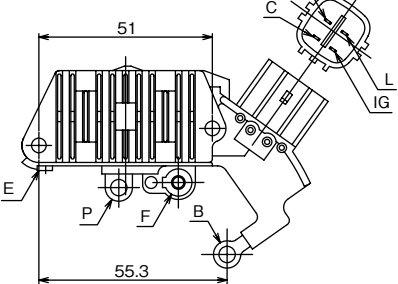
# VOLTAGE REGULATORS

New-Era No.	Ref.No.	Application						
<p><b>IVR-545</b>      <b>AC12V</b></p> 	<p>31150-PD2-0140 27700-70030 27700-54050 27700-10061</p> <p>126000-1530 ND 126000-0700 ND 126000-0731 ND 126000-0732 ND</p>	<p>Same as IVR-516 Low Regulated Voltage 14.5±0.3V</p>						
<p><b>IVR-546</b>      <b>AC12V</b></p> 	<p>8-97124161-0</p> <p>126000-2151 ND</p>	<table border="0"> <tr> <td><b>HONDA</b> ACURA</td> <td>SLX 3.2L (6VD1)</td> <td>96~97</td> </tr> <tr> <td><b>ISUZU</b> VEHI CROSS TROOPER TROOPER 3.2L</td> <td>UGS25DW(6VD1) UBS26GW(6VE1) (6VD1)</td> <td>97~ 98~ 96~97</td> </tr> </table>	<b>HONDA</b> ACURA	SLX 3.2L (6VD1)	96~97	<b>ISUZU</b> VEHI CROSS TROOPER TROOPER 3.2L	UGS25DW(6VD1) UBS26GW(6VE1) (6VD1)	97~ 98~ 96~97
<b>HONDA</b> ACURA	SLX 3.2L (6VD1)	96~97						
<b>ISUZU</b> VEHI CROSS TROOPER TROOPER 3.2L	UGS25DW(6VD1) UBS26GW(6VE1) (6VD1)	97~ 98~ 96~97						
<p><b>IVR-5001</b>      <b>AC12V</b></p> 	<p>TG989-082-0040</p> <p>126000-09204D ND</p>	<p><b>ISUZU</b> PICK UP</p> <p>D-MAX (THAILAND)</p>						

# VOLTAGE REGULATORS

New-Era No.	Ref.No.	Application
<b>IVR-5002 AC12V</b> 	8-97183613-0	<b>ISUZU</b> RODEO BIGHORN (TROOPER) UBS26GW (6VE1) 01~  INDUSTRIAL USE (6VD1) 98~
		126000-2480 ND
<b>IVR-5003 AC12V</b> 	27700-11060	<b>TOYOTA</b> CALDINA ET196V (5E-FE) 92~ COROLLA EE102V (4E-FE) 94~97 EE103V,104G (5E-FE) 94~97 CORSA EL51 (4E-FE) 94~99 EL53, EL55 (5E-FE) 94~99 CYNOS EL52 (4E-FE) 95~99 EL54 (5E-FHE) 95~99 STARLET EP85, 91, 95 (4E-FE) 96~99
		126000-1630 ND
<b>IVR-5004 AC12V</b> 	27700-21010 27700-21020 27700-21020-1	<b>TOYOTA</b> BB NCP30 (2NZ-FE) 00~02 NCP31, 35 (1NZ-FE) 00~02 NCP34 (1NZ-FE) 01~02 WILL-VI NCP19 (2NZ-FE) 00~01 VITZ NCP10 (2NZ-FE) 99~03 NCP15 (2NZ-FE) 99~05 NCP13 (1NZ-FE) 00~03 FUN CARGO NCP20 (2NZ-FE) 99~02 NCP21, 25 (1NZ-FE) 99~02 PLATZ NCP12 (1NZ-FE) 99~02 NCP16 (2NZ-FE) 99~ COROLLA NZE120 (2NZ-FE) 00~ PROBOX NCP50V (2NZ-FE) 02~ NCP51V, 55V (1NZ-FE) 02~ NCP58G, 59G (1NZ-FE) 02~ NCP52V (1NZ-FNE) 03 NLP51V (1ND-TV) 02~ VIOS/SOLUNA VIOS NCP42/4# (1NZ-FE) 02~06 ECHO NCP12/13 (1NZ-FE) 99~ SACION XA(IST) NCP61 (1NZ-FE) 03~ SACION XB NCP31 (1NZ-FE) 03~ YARIS NLP10 (1ND-TV) 03~
		126000-3130/1 ND 126000-3170/1 ND

# VOLTAGE REGULATORS

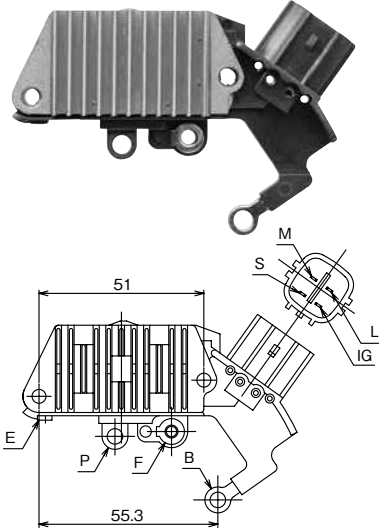
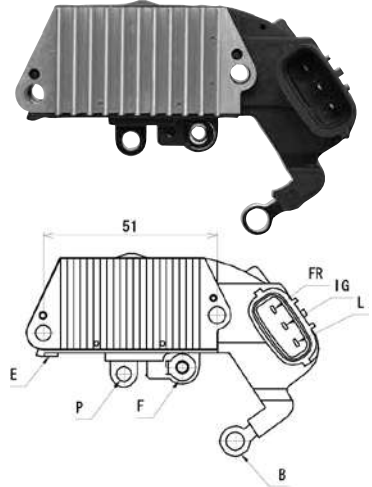
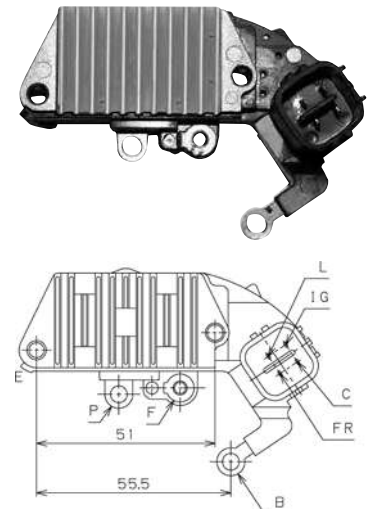
New-Era No.	Ref.No.	Application	
<b>IVR-5005</b>  	<b>AC12V</b> <b>32500-60G10</b>	<b>SUZUKI</b> ESCUDO CULTUS  ESCUDO  PROCEED  WAGON R JIMNY	TA51W, TD51W (J20A) 96~97 GC41W (J18A) 96~98 GA11S (G13B) 94~97 GA21S, GB21S, GC21W, (G15A) 94~97 GD21S GB31S, GD31S, GD31W (G16A) 96~97 TA11W, TD11W (H20A) 95~97 TD61W (H25A) 96~97 TJ62W (H25A) 98~ TF11W, TJ11W (H20A) 95~ MA61S, MB61S (K10A) 97 JB33W (J13B) 98~00
		<b>126000-1970/1 ND</b>	
<b>IVR-5006</b>  	<b>AC12V</b> <b>27700-21040</b>	<b>TOYOTA</b> BB CALDINA CAMRY COROLLA SPACIO FUNCARGO IPSUM IST NOAH OPA PLATZ PORTE PREMIO PROBOX VISTA WILL-CYPHA WILL-VS	NCP30 (2NZ-FE) 02~ NCP31, 34, 35 (1NZ-FE) 02~ ST246W (3S-GTE) 02~ AZT241W, 246W (1AZ-FSE) 02~ ZTZ241W (1ZZ-FE) 02~ AZV50, 50G (1AZ-FSE) 01~03 ZZE122, 122G, 124, 124G (1ZZ-FE) 02~ NZE121, 121G, 124, 124G (1NZ-FE) 00~ NZE121N (1NZ-FE) 01~ NCP20 (2NZ-FE) 02~03 NCP21, 25 (1NZ-FE) 02~03 ACM21W, 26W (2AZ-FE) 01~03 NCP60 (2NZ-FE) 02~03 NCP61, 65 (1NZ-FE) 02~03 AZR60G, 65G (1AZ-FSE) 01~04 ACT10 (1AZ-FSE) 02~ ZCT10, 15 (1ZZ-FE) 02~ NCP12 (1NZ-FE) 02~ NNP10, 11 (2NZ-FE) 04~ NZT240 (1NZ-FE) 01~ AZT240 (1AZ-FSE) 01~ ZTZ240, 245 (1ZZ-FE) 01~ NCP58G (1NZ-FE) 02~03 AZV50, 50G (1AZ-FSE) 01~03 AZV55, 55G (1AZ-FSE) 02~03 NCP70 (2NZ-FE) 02~03 NCP75 (1NZ-FE) 02~ NZE127 (1NZ-FE) 02~04
		<b>126000-3370 ND</b>	

# VOLTAGE REGULATORS

VOLTAGE REGULATORS


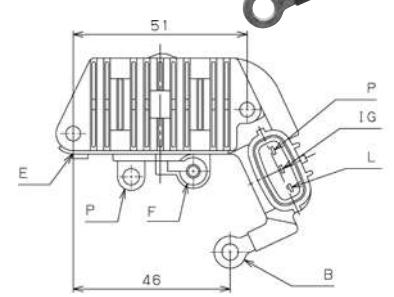

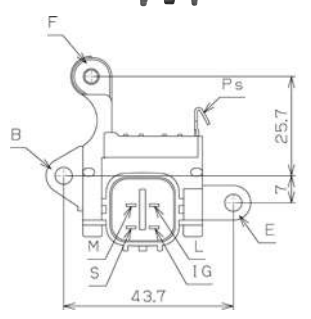
New-Era No.	Ref.No.	Application			
IVR-5007 AC12V	27700-13120	<b>DAIHATSU</b> DELTA KR41J (5K) 96~			
	126000-2280 ND	<b>TOYOTA</b> LITEACE ESCAVATOR KR42V (7K) 96~98 5SD7, 10, 12, 15 (1DZ, 2Z) 00~03 5SG10, 12 (4Y, 5K) 01~03 5SGL7, 10 (4Y, 5K) 01~03 FOLKLIFT 7FD10, 14, 15, 18, (1DZ) 00~03 7FD20, 25 7FD20, 23, 25, 28, (2Z) 00~03 7FD30 7FG10, 14, 15, 18, (5K) 01~03 7FG20, 23, 25, 7FG15, 18, 20, 23, (4Y) 01~03 7FG25, 28, 30 7FGJ35 (4Y) 01~03 7FGK20, 25 (4Y, 5K) 01~03 KIJANG			
		IVR-5008 (IVR-534) AC12V	27700-11030 27700-11050 27700-46030 27700-46040 27700-72090	<b>TOYOTA</b> MR2 SW20 (3S-GE/GTE) 91~92 COROLLA, SPRINTER AE104/101 (4A-FE) 91~92 AE101 (4A-GE/GZE) 91~92 AE100/100G (5A-FE) 91~92 CARINA ST180/181 (4S-FE) 91~92 CORONA ST182/183 (3S-FE/GE) 91~92 ST180/181 (4S-FE) 91~92 ST182 (3S-FE) 91~92 ST182A (3S-GE) 91~92 ST183 (3S-FE/GE) 91~92 CELICA ST182/183 (3S-FE/GE) 91~92 ST183C (3S-GE) 91~92 ST185H (3S-GTE) 91~93 CAMRY, VISTA SV30 (4S-FE) 90~92 SV32/33/35 (3S-FE) 90~92 VZV30/31 (1VZ-FE) 90~92 VZV32/33 (4VZ-FE) 91~92 SV32/33 (3S-GE) 90~92 CROWN MAJESTA UZS141 (1UZ-FE) 91~93 JZS147/149 (2JZ-GE) 92~93 CROWN JZS130G/131 (1JZ-GE) 90~93 JZS133/133Z/135 (2JZ-GE) 91~93 JZS141 (1JZ-GE) 91~93 JZS143/145 (2JZ-GE) 91~93 ARISTO JZS147 (2JZ-GE/GTE) 91~93 SUPRA JZA70 (1JZ-GTE) 90~93 MARK II, CHASER JZX81 (1JZ-GE/GTE) 90~93 SX80/80Y (4S-FE) 90~93 SX80/80Y (4S-FI) 88~90 SOARER UZZ30/31/32 (1UZ-FE) 91~94 JZZ30 (1JZ-GTE) 91~94 WINDOM VCV10 (3VZ-FE) 91~92 LITEACE YR21G/30G (3Y-EU) 92~93 COROLLA, SPRINTER EE106V (2E) 91~92 TOWNACE EE107V (3E) 91~92 OTHERS CM30G (2C) 90~92 <b>DAIHATSU</b> DELTA WIDE YB21G (3Y-EU) 92~93	
	126000-1190 ND 126000-1260 ND 126000-1270 ND 126000-1400 ND 126000-1500 ND				

# VOLTAGE REGULATORS

New-Era No.	Ref.No.	Application
<b>IVR-5011</b> <b>AC12V</b> 	27700-31040	<b>TOYOTA</b> FJ CRUISER (1GR-FE) 4 RUNNER (1GR-FE) FORTUNER (1GR-FE) HILUX (1GR-FE) LAND CRUISER PRADO (1GR-FE) HILUX(USA) (1GR-FE) TUNDRA(USA) (1GR-FE)
	126000-3720 ND	
<b>IVR-5013</b> <b>AC12V</b> 	27700-23010	<b>TOYOTA</b> VITZ SCP10 (1SZ-FE) 99~05 YARIS SCP11 (1SZ-FE) 99~ PLATZ ECHO
	126000-3040 ND 126000-3041 ND 126000-2861 ND	
<b>IVR-5015</b> <b>AC12V</b> 	MD627071 27700-30070	<b>TOYOTA</b> HILUX VIGO  <b>NISSAN</b> CLIPPER U61V/71T/71TP/71V (3G83) 03~ U71W/72T/72TP/72V  <b>MITSUBISHI</b> MINICAB U61T/61TP/61V/61W (3G83) 98~ U62T/62TP/62V/62W U61W/62W (3G83) 02~ U63W/64W (4A30) 98~ U65W/66W (4A31) 99~01
	126000-2850 ND	

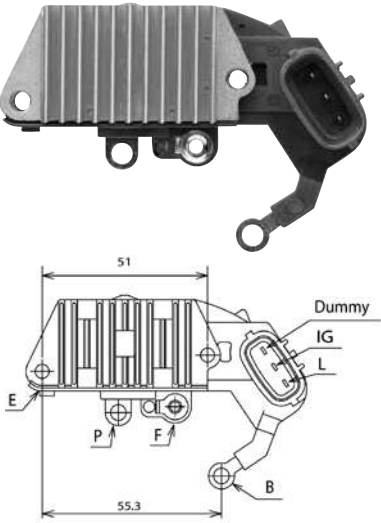
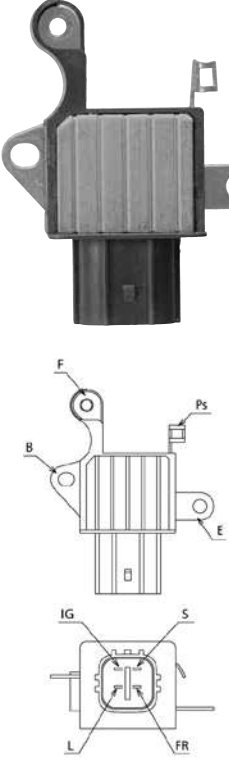


# VOLTAGE REGULATORS

New-Era No.	Ref.No.	Application
<b>IVR-5016</b>  	<b>AC12V</b> 129423-77710 16652-64601  126000-1800 ND	<b>TOYOTA</b> EXCAVATOR 4SCTL6 (D1105) 97~  <b>KUBOTA</b> ENGINE (D1105) 95~ (V2203) 04~ (V2403) 92~ (V1505) 93~ <b>LAWN MOWER</b> BACKHOE EX33MU (V1503B)  <b>YANMER</b> ENGINE (3TNE78A) 98~ (3TG72) 99~ (3TNE74) 99~
		<b>IVR-5017</b>  

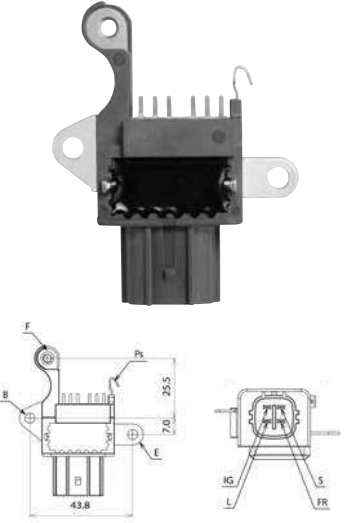
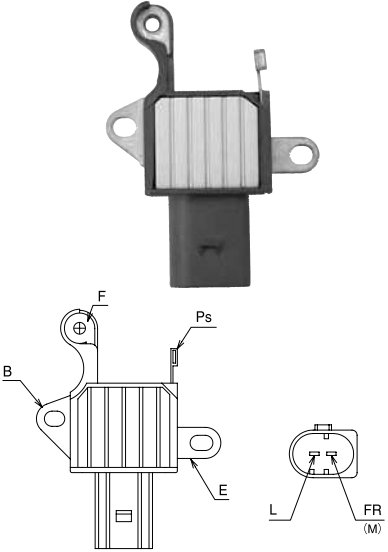
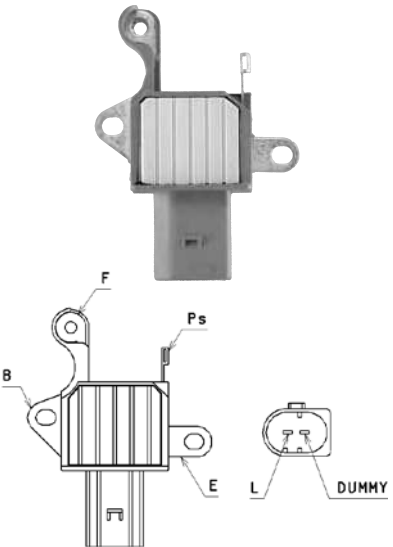
# VOLTAGE REGULATORS

VOLTAGE REGULATORS

New-Era No.	Ref.No.	Application			
<p><b>IVR-5018 AC24V</b></p> 	<p><b>126000-3730 ND</b></p>	<p><b>KOMATSU</b> EXCAVATOR EXCAVATOR WHEEL LOADER</p>	<p>PC200 PC78US-6 WA100-5</p>	<p>(SAA6D102) (4D95LE) (SAA4D102)</p>	<p>03~ 02~ 03~</p>
<p><b>IVR-5019 AC12V</b></p> 	<p><b>27700-20090</b> <b>27700-20091</b> <b>27700-20100</b></p> <p><b>126600-3010 ND</b> <b>126600-3040 ND</b> <b>126600-3360 ND</b> <b>126600-3390 ND</b> <b>126600-4340 ND</b></p>	<p><b>TOYOTA</b> LAND CRUISER ALPHARD AVENSIS  WINDOM KLUGER HARRIER DYNA/TOYOACE  PICNIC/AVENSIS VERSO  PREVIA/TARAGO RAV4  WISH CAMRY ALPHARD  ESTIMA FORTUNER HIGHLANDER HILUX INNOVA KIJANG INNOVA VIOS/YARIS  <b>LEXUS</b> RX300/330/350 GX460 RX  <b>HINO</b> DUTRO</p>	<p>URJ202W MNH10W/15W AZT250/250W AZT251/251W AZT255/255W MCV30 MCU20W/25W MCU30W/31W/35W/36W TRC600 TRU300/300A/340/500 TRU600 TRY220/230 TRY231  ACM20 ACR30 ACA2#  ACA30 ZGE20G/25G/25W ACV30/35 ANH10W/15W MNH10W/15W MCR30W/40W  MCU35 URJ150 AGL10W  TRU300M/300X/340M/ 500M</p>	<p>(1UR-FE) (1MZ-FE) (1AZ-FSE) (2AZ-FSE) (1AZ-FSE) (1MZ-FE) (1MZ-FE) (1MZ-FE) (1MZ-FE) (2TR-FE) (2TR-FE) (2TR-FE) (1TR-FE) (1TR-FPE)  (1AZ-FE) (2AZ-FE) (1AZ-FE) (2AZ-FE)  (1AZ-FE) (2ZR-FAE) (2AZ-FE) (2AZ-FE) (1MZ-FE) (1MZ-FE)  (1MZ-FE) (1UR-FE) (1AR-FE)  (2TR-FE)</p>	<p>10~ 03~08 03~08 05~08 03~08 03~06 03~07 03~06 11~ 07~ 11~ 03~ 09~  03~ 03~04 03~  09~ 09~ 03~06 05~08 14.03.08 03~06 08~11 07~13 08~11 11 08~11 07~13  03~06 09~ 10~  07~</p>


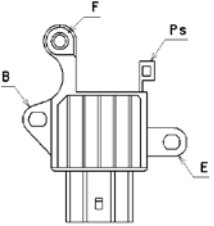
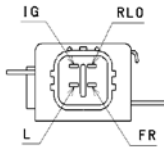

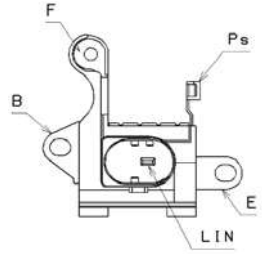

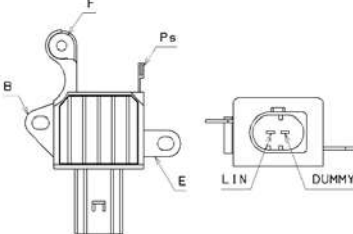


# VOLTAGE REGULATORS

New-Era No.	Ref.No.	Application															
<p><b>IVR-5024 AC12V</b></p>  <p>Technical drawings showing side and front views of the IVR-5024 voltage regulator. Dimensions include 43.8, 7.0, and 25.5. Labels include F, Ps, B, E, L, IG, S, and ER.</p>	<p><b>27700-31050</b></p> <p><b>126600-3000 ND</b> <b>126600-3001 ND</b></p>	<p><b>TOYOTA</b> HILUX LANDCRUISER (PRADO) MARK X CROWN</p> <table border="0"> <tr> <td>GRN215W</td> <td>(1GR-FE)</td> <td>05~09</td> </tr> <tr> <td>GRJ120W/121W</td> <td>(1GR-FE)</td> <td>05~09</td> </tr> <tr> <td>GRX120/125</td> <td>(4GR-FSE)</td> <td>04~09</td> </tr> <tr> <td>GRS180/200/201</td> <td>(4GR-FSE)</td> <td>05~</td> </tr> <tr> <td>GRS181/182/202</td> <td>(3GR-FSE)</td> <td>05~</td> </tr> </table>	GRN215W	(1GR-FE)	05~09	GRJ120W/121W	(1GR-FE)	05~09	GRX120/125	(4GR-FSE)	04~09	GRS180/200/201	(4GR-FSE)	05~	GRS181/182/202	(3GR-FSE)	05~
GRN215W	(1GR-FE)	05~09															
GRJ120W/121W	(1GR-FE)	05~09															
GRX120/125	(4GR-FSE)	04~09															
GRS180/200/201	(4GR-FSE)	05~															
GRS181/182/202	(3GR-FSE)	05~															
<p><b>IVR-5027 AC12V</b></p>  <p>Technical drawings showing side and front views of the IVR-5027 voltage regulator. Labels include F, Ps, B, E, L, and FR (M).</p>	<p><b>126600-4490 ND</b></p>	<p><b>TOYOTA</b> YARIS VITZ VIOS ECHO</p> <table border="0"> <tr> <td>NPC150, NSP152</td> <td>(1NZ, 2NZ)</td> <td>13~</td> </tr> <tr> <td></td> <td>(1NZ, 2NZ)</td> <td>13~</td> </tr> <tr> <td>NCP150</td> <td>(1NZ, 2NZ)</td> <td>13~</td> </tr> <tr> <td></td> <td>(1NZ, 2NZ)</td> <td>13~</td> </tr> </table>	NPC150, NSP152	(1NZ, 2NZ)	13~		(1NZ, 2NZ)	13~	NCP150	(1NZ, 2NZ)	13~		(1NZ, 2NZ)	13~			
NPC150, NSP152	(1NZ, 2NZ)	13~															
	(1NZ, 2NZ)	13~															
NCP150	(1NZ, 2NZ)	13~															
	(1NZ, 2NZ)	13~															
<p><b>IVR-5030 AC12V</b></p>  <p>Technical drawings showing side and front views of the IVR-5030 voltage regulator. Labels include F, Ps, B, E, L, and DUMMY.</p>	<p><b>8-98225-813-0</b></p> <p><b>104210-9870 ND</b></p>	<p><b>ISUZU</b> D-MAX</p> <table border="0"> <tr> <td>TFR / TFS</td> <td></td> <td>12~16</td> </tr> <tr> <td>4JI-TC</td> <td></td> <td></td> </tr> </table>	TFR / TFS		12~16	4JI-TC											
TFR / TFS		12~16															
4JI-TC																	

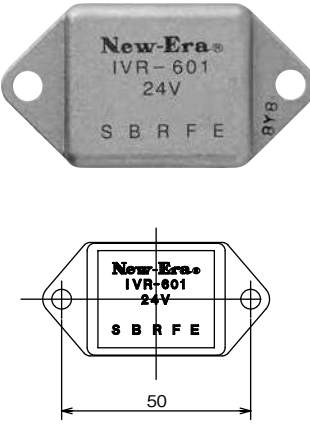

# VOLTAGE REGULATORS

VOLTAGE REGULATORS

New-Era No.	Ref.No.	Application		
<b>IVR-5031</b> <b>AC12V</b>    <b>104210-2090 ND</b>	<b>27060-283000</b>	<b>TOYOTA</b> RAV4		06~08
<b>IVR-5032</b> <b>AC12V</b>   <b>104211-3400 ND</b>	<b>31400-61M00</b>	<b>SUZUKI</b> VITARA SX4 S-CROSS	1.6L 1.6L	15~ 13~
<b>IVR-5033</b> <b>AC12V</b>   <b>104211-2210 ND</b> <b>104211-2630 ND</b> <b>104210-9860 ND</b>	<b>8-98247689-1</b> <b>8-98385217-0</b>	<b>ISUZU</b> D-MAX	1.9L	17~  96~98 00~03 01~03 01~03 00~03  00~03  01~03  01~03  01~03 01~03

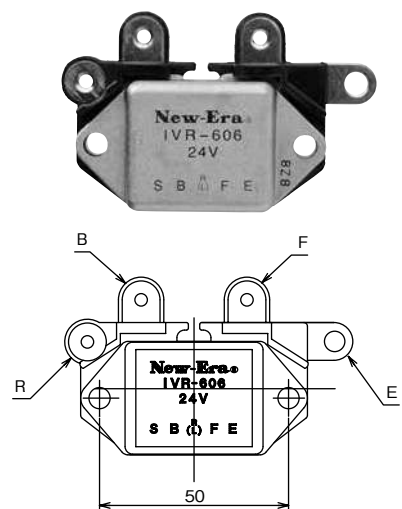
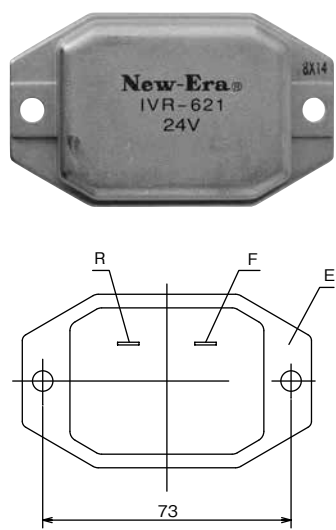
# VOLTAGE REGULATORS

VOLTAGE REGULATORS

New-Era No.	Ref.No.	Application
<b>IVR-601</b> <b>AC24V</b> 	1-81260004-0 1-81260005-0 1-81270001-0 8-94173052-0	<b>ISUZU</b> TRUCK 6QA1,6RA1,6RB1 84~ V8 TRUCK 8PC1 84~ V10 TRUCK 10PC1 84~ V10 TRACTOR 10PC1 84~ V12 TRUCK 12PC1 84~ V12 TRACTOR 12PC1 84~ FORWARD 6BD1,6BG1 ENGINE FOR UNIVERSAL USE 4BC2-A,4BD1,4BD1-T  <b>KOMATSU</b> ENGINE FOR UNIVERSAL USE 4D95L,6D95L,6D125-1, S6D105,S6D105-1 DUMP TRUCK S6D123 84~ MOTOR GRADER S125 84~  <b>NISSAN</b> FD33
	7-44000-0900 NK 7-44000-0901 NK 7-44000-0920 NK 7-44000-0905 NK 7-44000-0903 NK 7-44000-0906 NK	
<b>5 TERMINALS</b> <b>IVR-602</b> <b>AC24V</b> 	1-81270001-0	<b>ISUZU</b> V8TRUCK SKW462, 482(8PC1) 88~90 CV17, CX17(8PC1) 84~90 V10TRUCK CX19(10PC1) 88~90 980 (10P) 88.11~ V12TRUCK CX21(12PC1) 88~90 V10TRACTOR EX19(10PC1) 88~90 V12TRACTOR EX21(12PC1) 88~90 TRUCK CV14(6QA1) 88~90 CX17(6RA1) 88~90 CX18(6RB1) 88~90 FORWARD840 FSR-11(6BD1-T) 88~90 FRR-11(6BD1-T) 88~90 FTR-11(6BD1-T) 88~90 FSR-12(6BG1) 87~90 FRR-12(6BG1) 87~90 FTR-12(6BG1) 87~90  <b>KOMATSU</b> WHEEL LOADER WA200(6D105) 88~
<b>WITH HOLDER</b>	7-44000-0900 NK	

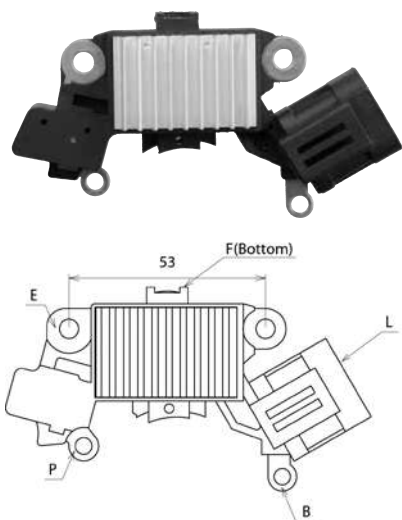
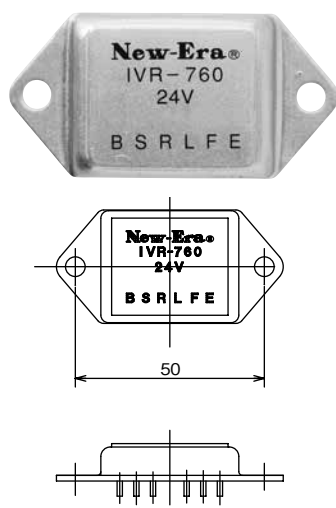
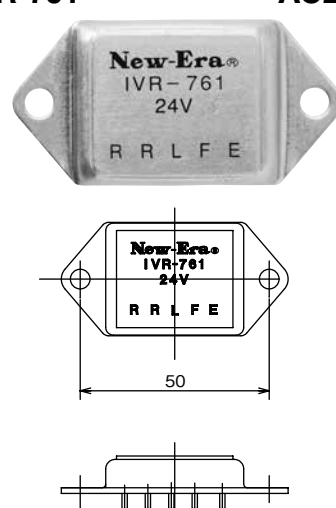
# VOLTAGE REGULATORS

VOLTAGE REGULATORS

New-Era No.	Ref.No.	Application
<b>IVR-606 AC24V</b> 	1-81260015-0	<b>ISUZU</b> Marine Vessel (6HE1TMC) 01~  <b>KOMATSU</b> Construction Machinery D155AX-5 (S6D140E-2B) 98~ WA70-1 (4D95L-W-1) 98~ WA70 (4D95L) 98~ D355A-3 (SA6D155-1) 98~ PC200-5 (4D95L) 98~ D31 (SA6D102E-1J) 98~ D37 (SA6D102E-1K) 98~ D66 (SA6D110) 98~ WA450 (SA6D125) 98~ PC300 (SA6D108) 98~ D85-21 (S6D125E-2) 98~ D155A-2 (S6D155) 98~
	0-35719-0151 NK	
<b>IVR-621 AC24V</b> 	1-81251004-0 1-81251024-0 6-00821328-0 6-00821335-0 6-00821544-1	<b>ISUZU</b> ENGINE FOR UNIVERSAL USE [DA220, DA120, DA640] 78~86 [DA640TPR, DH100, E120] [6BB1, 6BD1, 6BF1] 80~86  <b>KOMATSU</b> <b>BULLDOZER</b> D31-16 78~81 D21-5[4D94] 78~83 D40-2, D45-2 81~ D40-3, D41-3[6D105] 82~ D50-16, D53-6 82~ D57, D60, 65-8, D75-5 84~  <b>POWER SHOVEL</b> 12HT-1, 15HT-3 78~80 20HT-1, 10HT PC100, PC120, PC200, PC220 81~  <b>DOZER SHOVEL</b> D60S-6, D65-S6 78~80 75S-3 78~81  <b>MOTOR GRADER</b> GD37-6H 78~80 CD22H-28 78~81 GD505A 82~ GD200, 300A-1 84~ GD600, 605R-3 GD705R-3  <b>PAY LOADER</b> JH30B, JH60A 78~ 510, 515, JH63 81~ 530, 540  <b>FORKLIFT</b> FD35-1, FD50-2 78~ FD60-2, FD100-3, FD150-2 FD40HT 86~  <b>ENGINE GENERATOR</b> EG30-2, EG45, 45S-1 81~ EG75, 75S-2 EG100, 100S-2 EG150, 175-2, 200-2 EG170, S-2 84~ EG200-3, EC200Z EG260T-1 EG480B-1, EG500BS-1 86~ EG580B-1, EG600BS-1  <b>COMPRESSOR</b> EC105V 81~ EC35V, 50Z 78~ EC75-2 84~  <b>CRAWLER DUMP</b> CD40[4D105-3] 86~ CD60[S4D105-3]
WITH HOLDER	0-35719-0151 NK	
	0-33000-2280 NK 0-33000-2290 NK 0-33000-2841 NK 0-33000-3230 NK 1-44000-0580 NK 1-44000-0730 NK	



# VOLTAGE REGULATORS

New-Era No.	Ref.No.	Application
<b>IVR-631 AC24V</b> 	8-90840688-0	<b>ISUZU</b> FORWARD F**34(6HK1-TC) 07~ F**90(4HK1-TC) 07~  0-35719-0260 NK
<b>IVR-760 AC24V</b> 	8-94156595-0 23215-C6800	<b>ISUZU</b> ELF(FIRE ENGINE) 4BE1 86~ ELF250 4BC2 84~ ELF350 4BD1T 85~  <b>NISSAN</b> ATLAS ED33 84~ FD33 86~ ATLAS 100 SD23 82~ ATLAS 150 SD25 82~ ATLAS 200,300 ED33 81~ CARAVAN(COLD) SD23 83~ CIVILIAN ED33 81~ CONDOR 20,30 SAFARI SD33 83~ SD33T 85~ SAFARI VAN SD33
<b>IVR-761 AC24V</b> 	5-81251016-0 23500-99008	<b>ISUZU</b> STREET SWEEPER (4FB1) 88. 6~ SPECIAL TRUCK FOR HEIGHT OPERATION (4JB1) 86. 6~ HEAVY DUTY TRUCK P-CXM19,Z19(10PC1) 87. 9~ (C3,4B) 82. 7~ ENGINE FOR UNIVERSAL USE(C240) 83. 6~ ENGINE FOR CONSTRUCTION(6RB1) 89. 5~  <b>NISSAN</b> FORKLIFT WF03 WF03(TD42) 88.10~ FORKLIFT WF03(TD42) 89. 4~ BUS CD17 89.12~ TRUCK CV46(PE6T) 88.11~ CD53,CW53(RE8) 88.11~ CD46(PE6) 88. 9~ CD46,CV46(PE6T) 88. 9~ TRUCK CONDOR CM(FD6) 83. 1~ P-CM86(FD6,FD6T) 84. 9~ P-CM87(FE6) 88. 4~

6 TERMINALS

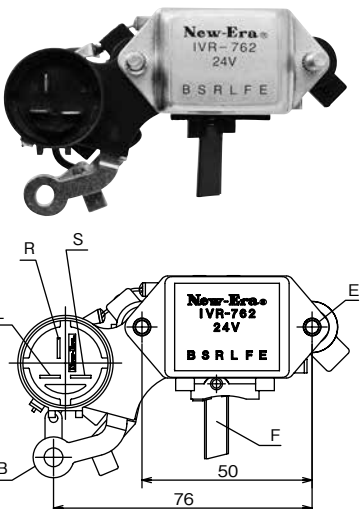
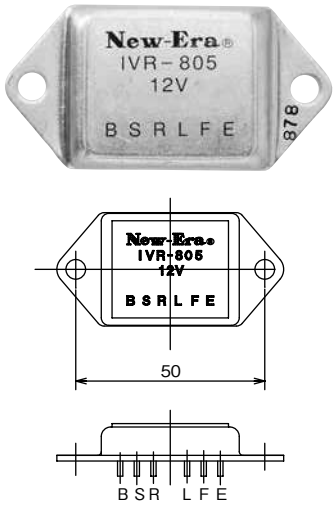
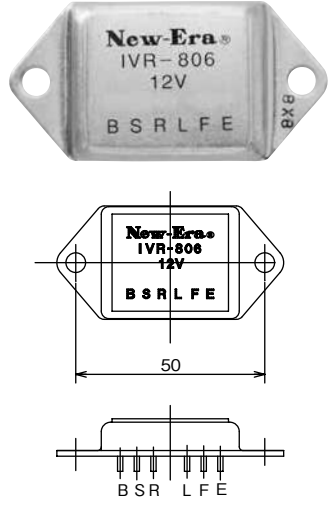
TR2Z-49 HI  
TR2Z-37 HI

5 TERMINALS

TR2Z-47 HI

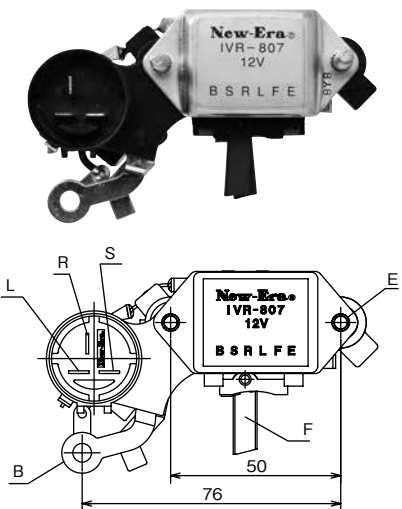
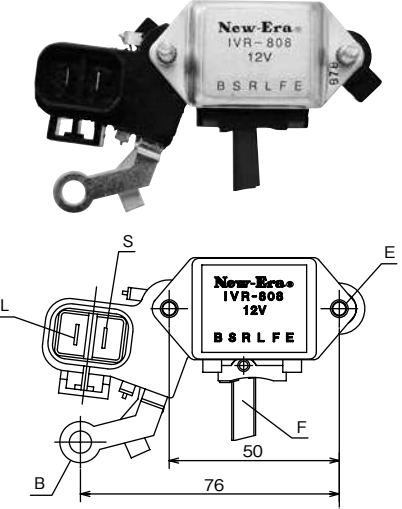
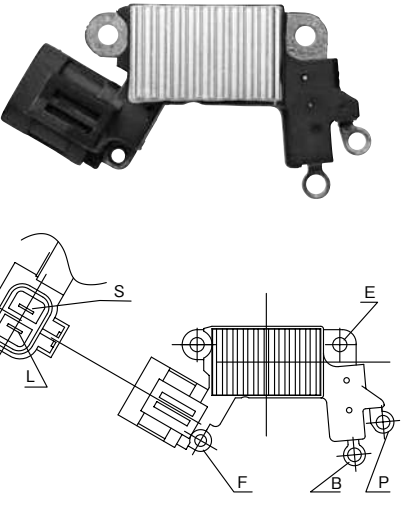
# VOLTAGE REGULATORS

VOLTAGE REGULATORS

New-Era No.	Ref.No.	Application
<b>IVR-762 AC24V</b>  WITH BRUSH HOLDER	8-94156590-0	<b>ISUZU</b> ELF  (OPTION) (FIRE ENGINE) (REFRIGERATOR CAR) ELF 250 ELF VAN  P-NKR58,P-NPR(4BE1,4BC2) 90.6~93.3 NKR63(4BE2) 93.4~ NKR,NPR(4BD1) 90.6~ P-NPR58(4BE1) 90.8~93.3 U-PR59,U-NPS59(4BD1-T) 90.3~ NPR,NKR(4BE1) 90.7~ P-NKR57(4BE1) 87~90 NKR(4BC2) 88.5~90 NKR(4BE1,4BG1) 90.5~ NKR63(4BE2) 93.4~ NKR58(4BE1)
	L225-8315 HI	
<b>IVR-805 AC12V</b>  6 TERMINALS	23215-W1701 23215-54A00  TR1Z-64 HI TR1Z-64A HI	<b>NISSAN</b> ATLAS F22, H40, N-AH40 88. 5~ (TD23, TD27) 88. 4~ CARAVAN E24(TD23) DATSUN TRUCK N-D21 88. 5~ (TD23, TD27) CARAVAN E-KE23 (TD23, TD27) ATLAS N-F22, N-EF22 (TD23) 88. 4~ FORKLIFT SD25 86. 7~ BLUEBIRD(Taxi) 910(LD20 II) 89. 5~ VANNET N-C22, N-KUC22 (LD20) 89. 5~ CEDRIC Q-UY31(RD28) 89.10~ SUNNY Q-SB12(CD17) 89.10~ AVENIR(VAN) S-VSW10(CD20) 90. 4~
<b>IVR-806 AC12V</b>  6 TERMINALS	8-94250964-0 8-94237728-0 RF01-24-520 23215-W1700  TR1Z-43 HI TR1Z-53 HI	<b>ISUZU</b> RODEO BIG HORN N-UBS52(C223) 85. 2~ FARGO N-WFR51(4FC1) 85. 9~ BIG HORN Q-UBS52F(4JA1,4JB1) 87.10~ FARGO N-WFR/S62 series(4FC1,4FD1) 88.12~ FARGO WAGON N-WF51D series(4FC1,4FD1,4FG1) 88.12~ FARGO N-WFR62/S series(4FC1,4FD1) 88.12~ ASKA DIESEL N-JJ510(4FC1) 86. 3~ GEMINI JT641F(4EE1T) 90. 2~ NEW VAN TRUCK WFR (4FB1,4FC1) 80~  <b>MAZDA</b> BONGO TRUCK U-SD29M,SD29T,SD2AT(R2) 90. 4~ BONGO TRUCK DIESEL P322(RF) 90. 4~ BONGO VAN N-SR2AV,U-SR29V(R2) 90. 4~ BONGO VAN S-SSF8V(RF) TRUCK N-SEF8T(RF) 90. 3~  <b>NISSAN</b> LAUREL K-EJC31(LD28) CEDRIC, GLORIA DIESEL 280D K-H430(LD28) 80.12~ DATSUN TRUCK K-S720, K-SG720 (SD22) 80.10~

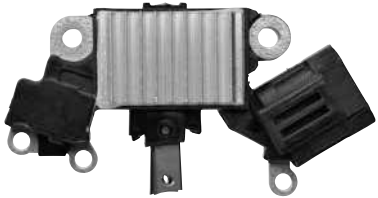
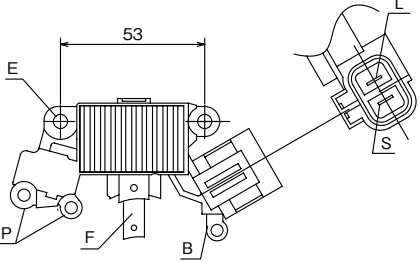
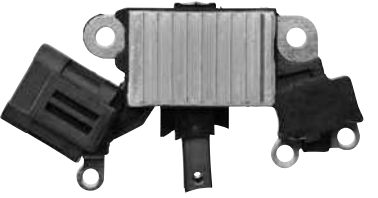
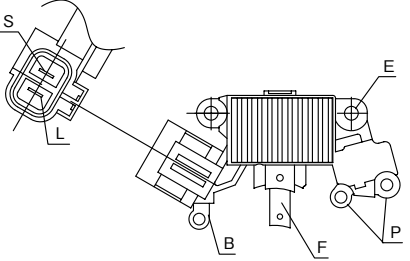

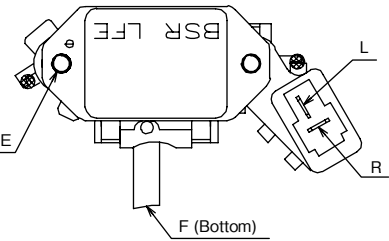
# VOLTAGE REGULATORS

VOLTAGE REGULATORS

New-Era No.	Ref.No.	Application
<b>IVR-807 AC12V</b> 	8-94167410-0	<b>ISUZU</b> BIG HORN BIG HORN WAGON FARGO FARGO WAGON ELF ELF 150 NEW ELF Q-UB552F(4JA1,4JB1) 87~ KD-UBS69DW(4JG2) 94~ KD-UBS25GW(4JG2) 94~ Q-UBS69(4JG2) 91~ N-WFR62/S(4FC1,4FD1) 88~90 N-WFR/S62(4FC1,4FD1) 88~ N-WF51D(4FC1,4FD1,4FG1) 88~ NHR69(4JG2) 93~ NKR69(4JG2) 93~ P-NHR(4JA1,4JB1) 84~ NHR,NKR(4JA1,4JB1) 84~
WITH BRUSH HOLDER	L150-33155 HI	
<b>IVR-808 AC12V</b> 	23528-05E06	<b>NISSAN</b> VANETTE VANETTE VAN VANETTE TRUCK SAFARI DATSUN TRUCK CARAVAN ATLAS N-KUC22(LD20· II) 89~91 S-VUSNC22(LD20) 94~ S-VUSNC22(LD20· II) 91~ S-UGJC22(LD20· II) 93~ S-VRY60(TD42) 94~ N-D21(TD23) 94~ E-KE23(TD23) 88~ E-VYE23(TD23) 94~ E-KE23(TD27) 94~ E24(LD20) 93~ N-VYE23(SD23) 94~ Q-KRME24(TD27) 94~ N-EF22(TD23) 94~ N-EF22(SD23) 94~ N-AH40(TD27) 94~ H40(TD27) 88~94
WITH BRUSH HOLDER	L160-23153 HI	
<b>IVR-845 AC12V</b> 	23215-3C001 23215-7F700	<b>NISSAN</b> SUNNY PULSAR TERRANO CARAVAN LAUREL SKYLINE MISTRAL E-EB14 (GA16DE) 93~97 E-EN14 (GA16DE) 93~97 R50 (TD27Ti) 96 (TD32ET) 96 N-E24 (TD27Ti) 96 E24 (QD32ET) 96 E-HC34 (RB20E) 94~96 E-HR33 (RB20E) 94~96 E-HR33 (RB20DE) 96 KD-R20, KD-KR20 (TD27TE) 96~97
	L180G-53401 HI L180G-2341 HI L180G-33401 HI L180G-3340 HI L1100G-6340 HI	

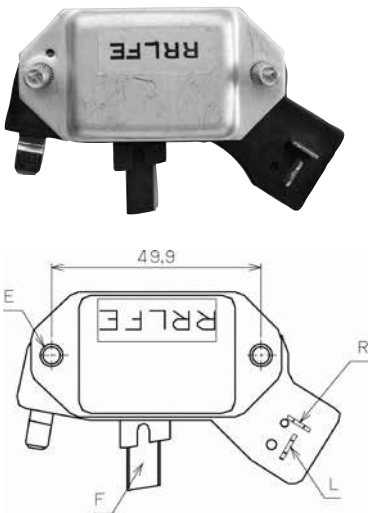
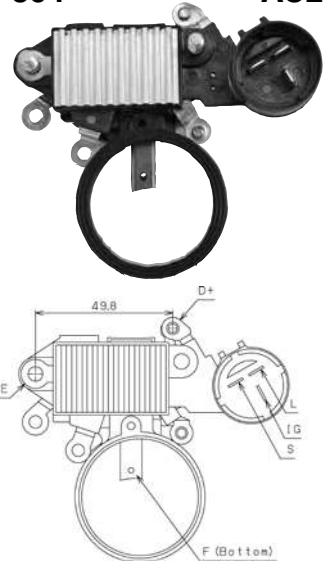
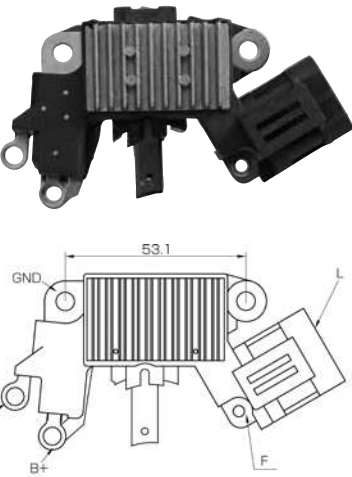
# VOLTAGE REGULATORS

VOLTAGE REGULATORS

New-Era No.	Ref.No.	Application
<b>IVR-849</b> <b>AC12V</b>  	23215-5V100	<b>NISSAN</b> SUNNY B14 (GA15DE) 97~99 PULSAR N15 (GA15DE) 97~99 N15 (GA) 00 <b>BLUEBIRD</b> U13 (SR20DE) 97~98 (SR18DE) (E-HU14 (SR20DE) <b>CEDRIC</b> Y33 (VG30E) 96~ <b>SERENA</b> C23 (SR20DE) 97~99 <b>LARGO</b> W30 (KA24D) 97 <b>SAFARI</b> Y61 (TB) 97~99 Y61 (TB42) 99~ <b>PRESIDENT</b> E-PHG50 (VH45DE) 97~ F-PG50
	L190G-7340 HI	
<b>IVR-856</b> <b>AC12V</b>  	23215-0V000 23215-2J602	<b>NISSAN</b> <b>DATSUN TRUCK</b> D21 (TD23,TD25,TD27,QD32) 97~ U-BGD21 (TD27) 95~97 <b>ATLAS</b> F23 (TD23,TD25,TD27,QD32) 96~ <b>CARAVAN</b> E24 (TD23,TD25,TD27,QD32) 96~97 <b>SERENA</b> C23 (GA16DE) 97~99 <b>SUNNY</b> E-EB14 (GA16DE) 93~97 <b>PULSAR</b> E-EN14 (GA16DE) 93~97 <b>PULSAR</b> KD-SN15 (CD20) 97~00 <b>BLUEBIRD</b> KD-SU14 (CD20) 96~97 <b>SKYLINE</b> R33 96~97 <b>LAUREL</b> C34 (RB20E,RB25DE,RB25DET) 96~97 <b>SAFARI</b> Y60 (TD42T) 95~97 <b>AVENIR</b> W10 (CD20T) 97~00 <b>BLUEBIRD</b> U13 (CD20T) 97~00 <b>TERRANO</b> R50 (TD32, TD27ETI) 96~ <b>SERENA</b> C23 (CD20) 96~99 <b>LARGO</b> W30 (CD20) 96~99
	L180G-63401 HI L190G-8340 H	
<b>IVR-861</b> <b>AC12V</b>  	RF01-24-521	<b>MAZDA</b> <b>BONGO BRAWNY VAN</b> SR2AV (R2) 90~ SR29V (R2) 90~ <b>BONGO BRAWNY TRUCK</b> SD2AT (R2) 90~ SD29T (R2) 90~ SD29M (R2) 90~
L150-73154 HI		

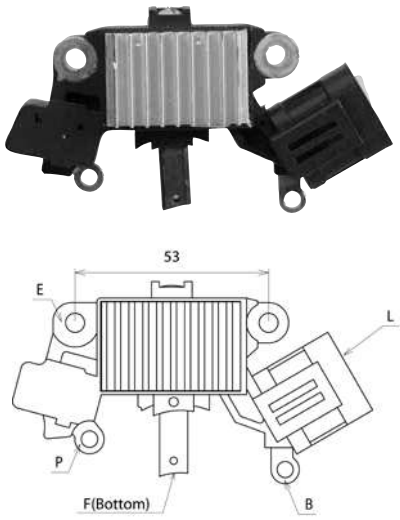
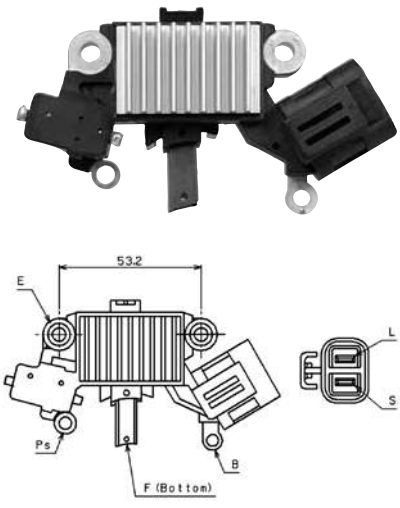
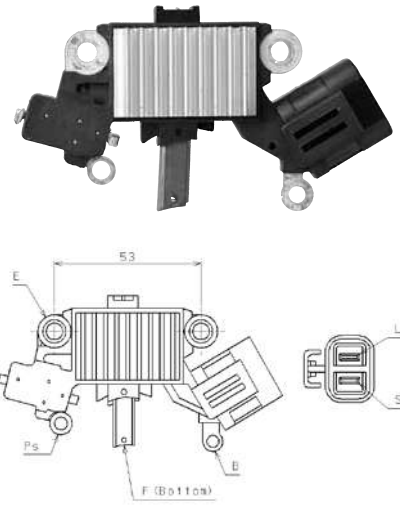
# VOLTAGE REGULATORS

VOLTAGE REGULATORS

New-Era No.	Ref.No.	Application
<b>IVR-863</b> <b>AC12V</b> 	<b>5-81219036-0</b> <b>124080-77350</b>  <b>L135-43153 HI</b>	<b>ISUZU</b> GENERAL USE (2K, 3K) 82~96 (3AE1, C240) 94~ (3AE1, 3AF1) 82~94 (4JB1) 86~ AGRICULTURE USE (3KR1) 86~96  <b>YANMAR</b> INDUSTRIAL MACHINE (2T72HL, 2T75HL, 3T72HL, 3T75HL) 82~97
<b>IVR-864</b> <b>AC24V</b> 	<b>8-97111264-0</b>  <b>L235G-4315 HI</b>	<b>ISUZU</b> ELF NKR,NPR (4HF1,4HG1,4HJ1) 97~04 ELF250 NKR66,NKS66 (4HF1) 94~97 ELF350 NPR66,NPS66 (4HF1) 94~97  <b>MAZDA</b> TITAN WG64,WG3 (4HG1, 4HF1) 95~97  <b>NISSAN</b> CIVILIAN W40 (4HG1) 95~03  Regulator for Rectifier Assembly <b>DIVR-864607</b>
<b>IVR-865</b> <b>AC24V</b> 	<b>8-97148169-1</b>  <b>L250G-5308 HI</b>	<b>ISUZU</b> ELF NKR/NPR (4HF1,4HG1,4HJ1) 97~  Regulator for Rectifier Assembly <b>DIVR-865610</b>

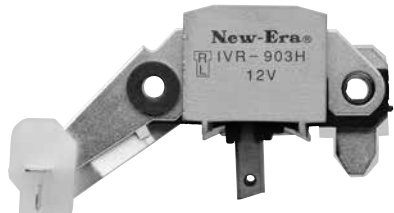
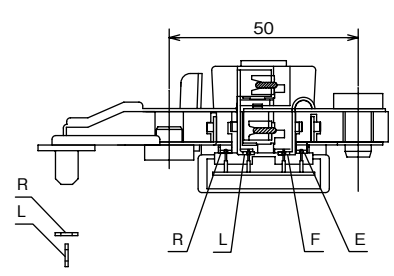
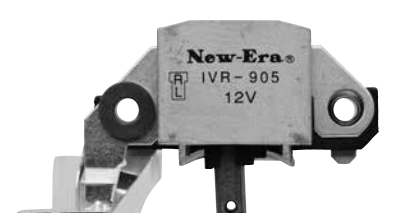
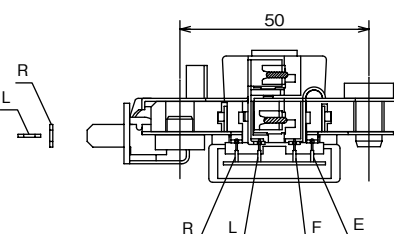
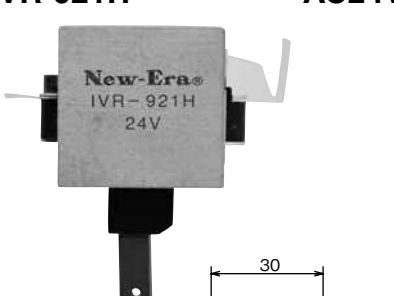
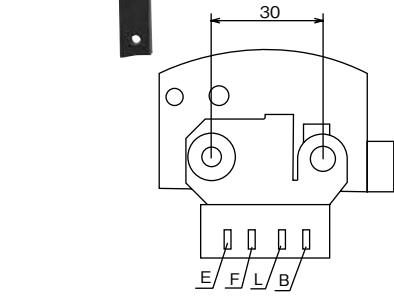
# VOLTAGE REGULATORS

VOLTAGE REGULATORS

New-Era No.	Ref.No.	Application
<b>IVR-866</b> <b>AC24V</b> 	8-97253577-0	<b>ISUZU</b> ELF                    NKR,NPR    (4HF1,4HG1,4HJ1,4HK1,4HL1)    00~  Regulator for Rectifier Assembly <b>DIVR-866611(L250G-13081)</b>
<b>L250G-13081 HI</b>		
<b>IVR-867</b> <b>AC24V</b> 	8-97249333-0	<b>ISUZU</b> ELF                    NKR,NPR    (4HJ1,4HK1,4HL1)                    02~ NKR,NPR    (4HG1,4HF1,4HJ1)                    00~03  Regulator for Rectifier Assembly <b>Use with D-608</b>
<b>L280G-1308 HI</b>		
<b>IVR-868</b> <b>AC12V</b> 	8-97248297-0	<b>ISUZU</b> MEDIUM TRUCK    NPR,NQR,NRR    (4HE1,4HK1)                    03~06 ELF                    NKR,NPR        (4HJ1,4HK1,4HL1)                02~ NKR,NPR        (4HG1,4HF1,4HJ1)                00~03 D-MAX                TFR                (4HA1,4JH1)                        02~06 RODEO                                   (4HA1,4JH1)                        02~  <b>CHEVROLET/GMC</b> TRUCK                W3500,W4500,    (4HE1,4HK1)                        03~07 W5500
<b>LR1110-501 HI</b>		

# VOLTAGE REGULATORS

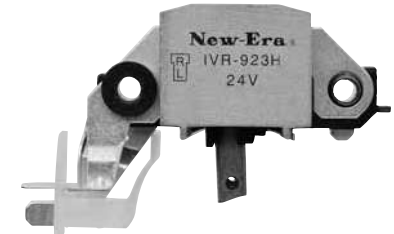
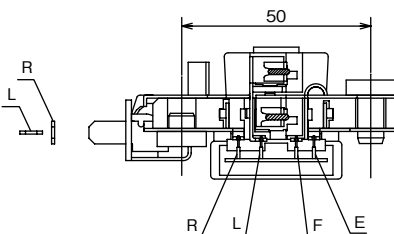
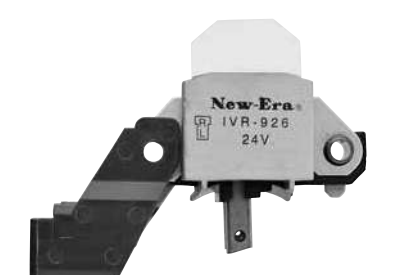
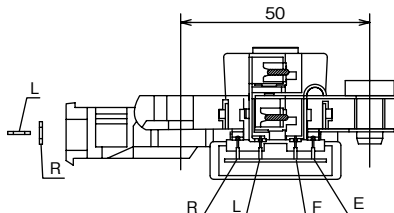
VOLTAGE REGULATORS

New-Era No.	Ref.No.	Application
<b>IVR-903H AC12V</b>  	<b>SE21-24-520</b> <b>MD607619</b>  <b>A866T03070 MI</b> <b>A866T03470 MI</b>	<b>MAZDA</b> E3000 81~ E2000 82~ LIGHT BUS 81~  <b>MITSUBISHI</b> GALANT Σ Δ 2300 DIESEL 81~ PAJERO L043G 81~ DELICA 2300 SL 82~ TRUCK,TRUCK AWD L023G[USA]
<b>IVR-905 AC12V</b>  	<b>ME700556</b>  <b>A866T06570 MI</b>	<b>MITSUBISHI</b> CANTER GUTS FB308(4DR7) 89~ FB300(4DR5) 83~92 CANTER 20 FE320(4DR) 83~92 CANTER FB100(4DR) 83~92
<b>IVR-921H AC24V</b>  	<b>ME700091</b>  <b>A866T01070 MI</b> <b>A866X01070 MI</b>	<b>MITSUBISHI</b> CANTER FE110,111,211 80~ FUSO LARGE TRUCK T656,FK115,FM215 80~ LARGE BUS MP117M,118M,517M, 518 79~ MIDDLE BUS MK103H 79~80 LIGHT BUS ROSA BH212 80~ (FORKLIFT) 81~


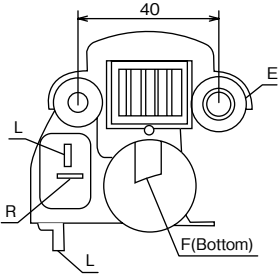
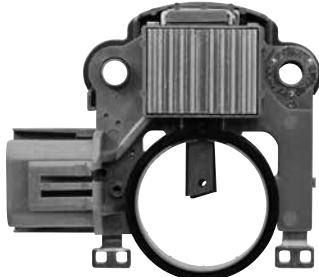
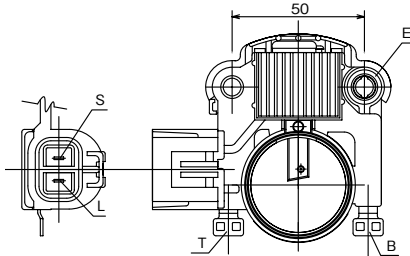


# VOLTAGE REGULATORS

VOLTAGE REGULATORS

New-Era No.	Ref.No.	Application
<b>IVR-923H AC24V</b>  	ME700571	<b>IVR-923H AC24V</b> <b>MITSUBISHI</b> CANTER20,30 FE101B,101E,111B 121B,211E 83~
<b>A866T06670 MI</b>		
<b>IVR-926 AC24V</b>  	ME700635	<b>IVR-926 AC24V</b> <b>MITSUBISHI</b> FUSO TRUCK REARDUMP TRUCK (OFFLOAD) CRANE TRUCK LARGE TRUCK TRUCK LARGE TRUCK MIDDLE TRUCK LARGE TRUCK MIDDLE TRUCK LARGE TRUCK CANTER CANTER MIDDLE TRUCK MIDDLE TRUCK MIDDLE TRUCK LARGE TRUCK LIGHT BUS ROSA LARGE BUS MIDDLE BUS LIGHT BUS TRUCK LIGHT BUS LARGE BUS INDUSTRIAL USE LARGE TRUCK CANTER FU415,FV415FS415(8DC) D320,D200(10DC) 84~85 84~85 K252,K400(8DC2,6DC2) 84~85 FS,FT,FU,FV(6D20) 84~89 P-FT418V,FU-418(6D22) FP,FT(6D1,6D2) 83~88 FK(6D14,6D15) 83~ P-FK515(6D14,6D15) 83~ FK115,FK116(6D14,6D15) 80~84 FK(6D31) 87~ OPTION FK,FM,K-FP, FT(6D14,6D10) 84~ FB300(4DR5) 84~ 20,30,35FE,FE314,FE434,444(4D31T) 84~ FK(6D31) 87~ FK330(6D31) 89~ (TAIPEI)FK330(6D31) 89~ DIESEL FT(6D1,6D2) 83~88 BE434,435(4D32,4D31T) 86~ MK,MP,MM(6D1,6D2) 84~88 MM,MK515,MK116J,F(6D14,6D15) 84~88 P-MK126F(6D15) 84~88 FW425,FN425(8DC9,8DC11) 85~ BK215F(6D14) 84~87 MP218,MP618(6D22) 85~ (6D1) 85~ OPTION FK335,345,337(6D14,6D16) 87~90 20,30,FE305,325,425, FB315,435(4D32) 84~
<b>A866T06870 MI</b>		

# VOLTAGE REGULATORS

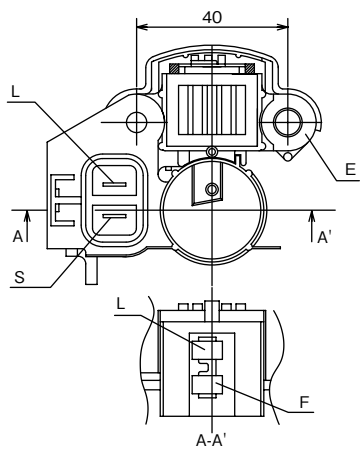
New-Era No.	Ref.No.	Application
<b>IVR-940</b>  	<b>AC12V</b> <b>E356-18-W70</b> <b>FE65-24-520</b> <b>MD611032</b> <b>MD611146</b> <b>E8GY-10-316</b> <b>E8JY-10-316</b> <b>32500-82131</b>  <b>A866X04870 MI</b> <b>A866X04871 MI</b> <b>A866X04872 MI</b> <b>A866X05470 MI</b> <b>A866X05471 MI</b> <b>A866X05472 MI</b>	<b>MAZDA</b> CAPELLA 2000,1800,1600 [SAUDI ARABIA] 83~ COSMO 12A,13B 83~ COSMO 2000 FE 83~ LUCE 12A,13B 83~ LUCE 2000 FE RX-7 [GENERAL] 83~ SAVANNA RX-7 12A 83~ 323,626,929  <b>MITSUBISHI</b> CHARIOT 1800 [SWEDEN] 84~ CHARIOT 1800 (COLD) [EC][SWEDEN] 84~ ETERNA, GALANT Σ 1800 G37B 83~ ETERNA, GALANT Σ 2000 G63B 83~ LANCER F10RE 1500,1300 G15B,B13B[EC] MIRAGE 1500, 1300 G15B,G13B[EC]
		<b>IVR-942</b>  

# VOLTAGE REGULATORS

New-Era No.	Ref.No.	Application
<p><b>IVR-943</b>          <b>AC12V</b></p> <p style="text-align: right;">A866X27572 MI</p>	<p><b>ME701363</b></p>	<p><b>mitsubishi</b> L400 PAJERO, MONTERO</p> <p>PD8W(4M40) V46V, V46W(4M40) V46WG(4M40) V26V, V26W(4M40) V26WG(4M40)</p> <p style="text-align: right;">94~ 94~</p>
<p><b>IVR-944</b>          <b>AC12V</b></p> <p style="text-align: right;">A866X22472 MI</p>	<p><b>23215-0P611</b></p>	<p><b>NISSAN</b> AD                      Y10(GA13DS)                      95~96                                  Y10(GA15DS)                      94~96 AVENIR                      W10(SR18DE)                      93~95                                  W10(SR20DE)                      93~95                                  W10(SR20DET)                      93~95 CARAVAN                      E24(VG30E)                      93~95 CIMA                      FGY32(VH41DE)                      93~97 HOMY                      E24(VG30E)                      93~95 LARGO                      W30(KA24DE)                      93~95 LEPARD, J.FERRY                      JPY32(VG30DE)                      92~93                                  JPY32(VH41DE)                      93~97 LUCINO                      N15(SR18DE)                      93~95 PREILIE                      M11(SR20DE)                      93~95 PRESEA                      R11(SR18DE)                      93~95                                  R11(SR20DE)                      93~95                                  P10(SR18DE)                      92~94                                  P10(SR20DE)                      92~95 PULSAR                      N15(SR18DE)                      93~95 SUNNY                      B14(SR18DE)                      93~95 SUNNY CALIFORNIA                      Y10(GA15DE)                      94~96 WING ROAD                      CY10(SR18DE)                      93~95</p> <p><b>NISSAN DIESEL</b> ATLAS                      F23(TD27)                      95~97                                  F23(TD25)                      95~97 CONDOR                      F23(TD27)                      95~97                                  F23(TD25)                      95~97</p>


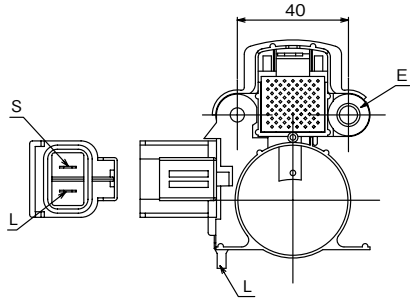
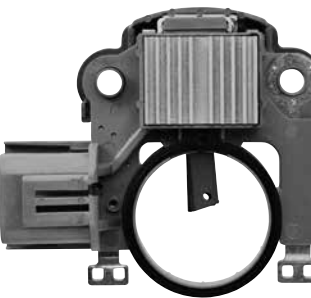
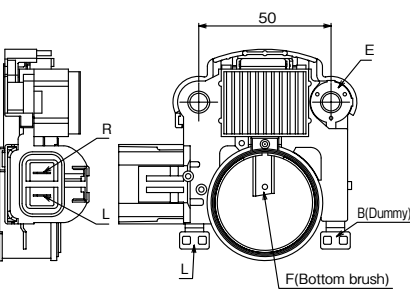
# VOLTAGE REGULATORS

New-Era No.	Ref.No.	Application
IVR-946	AC12V	<b>MITSUBISHI</b>
		CHARRIOT D05W (G37B) 85~94 CHARRIOT N33W, N43W (4G63) 87~00 CIGMA F11A (6G71) 86~96 DELICA L036P/PY (G33B) 86~94 L063P/PY (G32B) 86~94 P01V (G33B) 86~94 P02V (G32B) 86~94 P03W (G63B) 86~00 P04W, P24W (4G64) 86~00 P12V (G32B) 86~94 P13V (G63B) 86~00 P23V (G63B) 86~96 P23W (G63B) 86~00 DIAMANTE F11A (6G71) 86~96 WAGON F07W (6G72) 86~96 ECLIPSE D22A, D27A (4G63) 87~00 ETERNA, GALANT E33A, E39A (4G63) 87~98 E35A (4G67) 87~98 ETERNA Σ, GALANT Σ E11A (G32B) 85~94 E12A (G37B) 85~94 E17A (6G71) 86~96 E18A (6G72) 86~96 ETERNA, GALANT E32A/E37A (4G37) 85~00 FORKLIFT (4G33) 86~96 (4G63) 91~96 GALANT E31A (4G32) 85~00 E38A (4G63) 87~94 LIBERO CARGO CB1A (4G13) 87~96 CB2A, CD2V (4G15) 87~96 MIRAGE C51A, CA1A (4G13) 87~96 C52A, C82A (4G15) 87~96 C53A, C63A (4G61) 87~00 C73A, C83A (4G61) 87~00 MIRAGE, LANCER C11V (G13B) 87~96 C12V, C12W (G15B) 87~96 C32V (G15B) 89~93 C61A, CB1A (4G13) 87~96 C62A, C72A (4G15) 87~96 C63A, C73A (4G61) 87~00 PAJERO L041GV (G63B) 86~98 L141G/GW (6G72) 88~97 L146GW (6G72) 88~97 V23C/W, V43W (6G72) 90~97 RVR N13W, N23W (4G63) 87~96 STALION A187A (G54B) 87~97  <b>NISSAN</b> BLUEBIRD 2000 E-YU11 (CA20S) 84~86 1800 E-U11 (CA18E) 84~86 1600 E-RU11 (CA16S) 84~86 LAUREL 2000 E-HJC32, -KHC32 (RB20E) 84~89 FAIRLADY Z E-HZ31, HGZ31, GZ31 84~89 (VG30, E, DE) FAIRLADY Z E-HZ31, HGZ31, GZ31 84~89 (VG20DE, E) CEDRIC, GLORIA E-Y30, PY30, RY30 (VG30, E) 84~89 E-Y30, PY30, RY30 84~89 (VG20E, E, T)  <b>HYUNDAI</b> ACCENT 1.5L 95~99 ELANTRA 1.6L 92~95 1.8L 93~95 EXCEL 1.5L 90~93 SCOUPE 1.5L 91~95 SONATA 2.0L 92~98 3.0L 90~95  <b>A866X05272 MI</b> <b>A866X09071 MI</b> <b>A866X09771 MI</b> <b>A866X09782 MI</b> <b>A866X09072 MI</b> <b>A866X12472 MI</b>

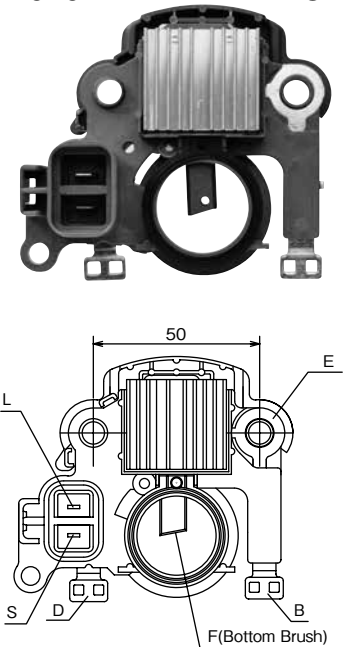
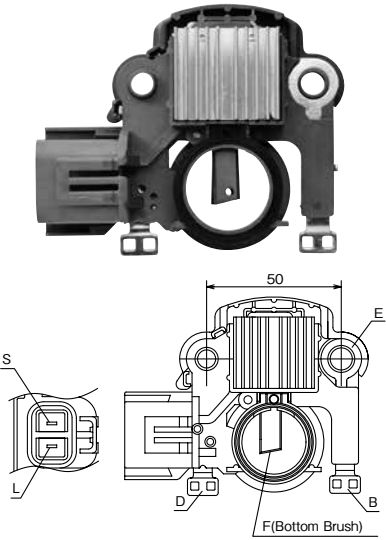


# VOLTAGE REGULATORS

VOLTAGE REGULATORS

New-Era No.	Ref.No.	Application
<b>IVR-947</b> <b>AC12V</b>  	MD611481	<b>mitsubishi</b> PAJERO 2500 DIESEL VAN (E.C.) 86~ V14V, V34V, L044G, L144G L044GV, L049GV (4D56) 86~ PAJERO 2500 DIESEL WAGON 4WD (E.C.) L044GVG, L044GW, L049GW (4D56) 86~ DIESEL (E.C.) (COLD) Q-L044GV, Q-L049GW (4D56) 87~ DIESEL WAGON L149GW, L144GW (4D56) 87~ DIESEL VAN L044GV, L049GV (4D56) 87~ DIESEL WAGON L044GW, L049GW (4D56) 87~ DIESEL VAN V24C, V24V (4D56) 89~ DIESEL WAGON L144GWG, V24W (4D56) 86~ DELICA 2300 VAN 4WD, 2WD (E.C.) (4D55) 2500 DIESEL (E.C.) Q-P15W (4D56) 86~ 2500 PICK-UP, VAN (E.C.) DIESEL VAN N-L039P, L06P (4D56) 86~ P45V, P05V, P15V, P25V(4D56) 86~ MIRAGE 1800 DIESEL (E.C.) C64A, C74A (4D65) 87~ LANCER 1800 DIESEL (E.C.) C64A, C74A (4D65) 87~ ETERNA SAVA 1800 DIESEL E34A (4D65) 87~ GARANT 1800 DIESEL E34A (4D65) 87~
	A866X09171 MI	
<b>IVR-948</b> <b>AC24V</b>  	<b>ME701399</b> <b>ME701881</b> <b>04343-38213</b>	<b>mitsubishi</b> CANTER FE517,537,567,53C 95~ FE648,568 95~ FE516,566 95~ <b>MITSUBISHI HEAVY INDUSTRIES</b> INDUSTRIAL MACHINE (S16N,S6A,S6B) 94~ VESSEL (S12A,S16N,S6A,S6B, 94~ S6R,S8A,S8N,S6F-MTK) GENERATOR (S16N,S6A,S6B) 94~ UNIVERSAL (S12A,S12N,S16N,S6A, 94~ S6B,S6R,S8A,S8N) FORKLIFT FD35/35A/40/50/70 (S6E,S4S,S6E,S6S) 95~ WHEEL LOADER WS400 (S4E-2) 95~ MOTOR GRADER MG100/150 (S4S,S6S,S6E-2T) 95~
	<b>A866X28372 MI</b> <b>A866X41272 MI</b>	

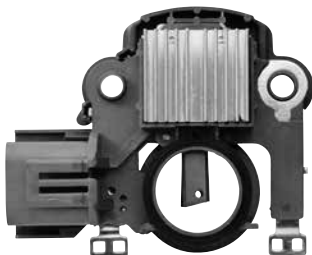
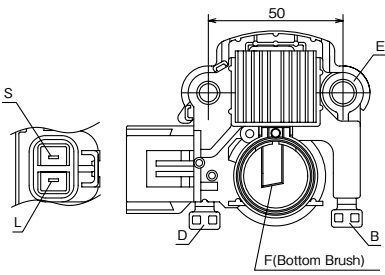

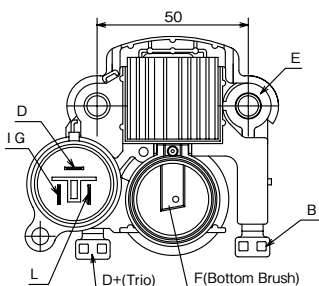
# VOLTAGE REGULATORS

New-Era No.	Ref.No.	Application		
<p><b>IVR-949 AC12V</b></p> 	<p><b>MD618569</b> <b>MD618696</b> <b>MD619505</b> <b>F81E-18-W70</b> <b>23815-KA110</b></p> <p><b>A866X22272 MI</b> <b>A866X23182 MI</b> <b>A866X39772 MI</b></p>	<p><b>MITSUBISHI</b> GALANT CHARIOT RVR LANCER DEBONAIR MIRAGE LIBERO PAJERO DELICA GTO FORKLIFT LIBERO CARGO DELICA TRUCK GALANT Σ</p> <p><b>MITSUBISHI HEAVY INDUSTRIES</b> FORK LIFT</p> <p><b>SUBARU</b> DOMINGO</p>	<p>E52A, E72A (4G93) 92~98 N33W, N43W (4G63, 4G64) 92~00 N13W, N23W (4G63) 92~00 N11W, N21W (4G93) 91~98 CD9A, CE9A (4G63) 92~00 CD5A (4G93) 91~98 S26A, S27A (6G74) 92~98 S22A (6G72, 6G74) 92~97 CA1A, CB1A (4G13) 93~98 CA3A, CB3A, (4G91) 91~98 CC3A, CD3A CA4A, CC4A (4G92) 91~96 CD2V, CB1V, (4G13, 4G15) 93~98 CB2V CB5W, CD5W (4G93) 91~99 CB4W (4G92) 97~ CB5W, CD5W (4G93) 97~ V25W, V25C, (6G74) 93~97 V45W V23C, V23W, (6G72) 94~97 V43W PB6W, PD6W, (6G72) 94~97 PF6W P02T, P06V (4G92) 94~98 P06V (4G92) 97~ Z15A, Z16A (6G72) 95~ (4G15, 4G63, 4G64) 94~98 CB1V (4G13) 97~ CB2V, CD2V (4G15) 97~ P02T (4G92) 97~ E19A (4G93)LPG 97~</p> <p>(4G15, 4G63, 4G64) 97~ (4G63, 4G64)LPG 97~</p> <p>FA7, FA8 (EF12E) 93~98</p>	
<p><b>IVR-950 AC12V</b></p> 	<p><b>JE48-18-W70</b> <b>B64J-18-W70A</b></p> <p><b>A866X20472 MI</b> <b>A866X20972 MI</b></p>	<p><b>MAZDA</b> REVUE FESTIVA FAMILIA EUNOS LASER AUTOZAM PRESSO PROCEED CAPELLA CRONOS TELSTAR EFINI</p>	<p>DB3PA, DB5PA, (B3, B5) 90~97 D23PF, D25PF (B3, B5) 90~97 BG5P, BG5S, BG6R (B5, B6) 91~96 BG6Z, BG8R, BG8Z (B6, BP) BG8P, BG8S, BG3P (BP, B3) BG3S, BG5P (B3, B5) BG5S (B5) BG5PE, BG8PE (B5, BP) 91~96 CAPP (FP) 91~97 CA8PE, CAEPE (K8, KF) BG3PF (B3) 91~96 EC5SA (B5) 91~97 EC5S (B5) 91~97 EC8SE (K8) UVL6R (WL) 95~97 GVFV (RF) 92~97 CG2PP, CG2SP, (FP, FS) 91~97 CG2SR GESR (FS) 91~97 GE8P, GEEP (K8, KF) GESRF (FS) 91~97 CG2PPF, CG2SPF (FP, FS) GE8PF, GEEPF (K8, KF) GE5PF (KL) GESR (FS) 91~97 GE8P, GEEP (K8, KF) FD3S (13B) MBEP, MB5P (KF, KL) HD5S, HDES (J5, JE) 91~98 LVL R (WL) 95~97</p>	

CONTINUED

# VOLTAGE REGULATORS

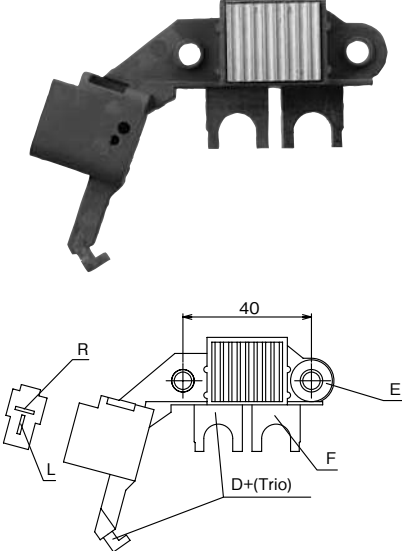
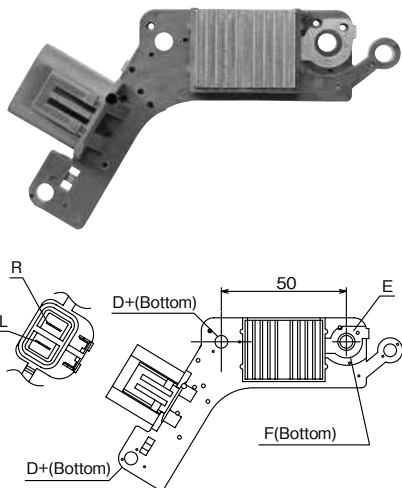
VOLTAGE REGULATORS

New-Era No.	Ref.No.	Application
<b>IVR-950</b> <b>AC12V</b>  	<b>JE48-18-W70</b> <b>B64J-18-W70A</b>	<b>MX-6</b> <b>CREF</b>  <b>SENTIA</b>  <b>CUSTOM CAB</b> <b>BONGO</b>  <b>FORD</b>
	<b>A866X20472 MI</b> <b>A866X20972 MI</b>	<b>GEEB, GE5B</b> (KF, KL) 91~97 <b>GESRA</b> (FS) 91~97 <b>GE5PA, GEEPA,</b> (KL, KF) <b>HDES, HD5P,</b> (JE, J5) 91~98 <b>HDEP, HD5S</b> <b>HBEY</b> (FE) 92~97 <b>SGEW, SG5W</b> (FE, J5) 95~97  <b>SGEWF, SG5WF</b> (FE, J5) 95~97
<b>IVR-951</b> <b>AC12V</b>  	<b>32500-60F30</b>	<b>SUZUKI</b> <b>JIMNY</b>  <b>ESCUDO</b>  <b>ALTO</b>  <b>CERVO MODE</b> <b>CARA</b>  <b>CULTUS</b>
	<b>A866X23772 MI</b>	<b>JA11C, JA11V,</b> (F6A) 92~96 <b>JA12C, JA12V,</b> <b>JA12W</b>  <b>TA01R, TA01W,</b> (G16A) 92~96 <b>TD01W</b>  <b>CR22S, HA11S</b> (F6A) 91~96 <b>CR22S, CS22S</b> (F6A) 92~96  <b>CN22S, CP22S</b> (F6A) 92~96  <b>PG6SS</b> (F6A) 92~96  <b>AA34S, AB34S,</b> (G13B) 92~93 <b>AF34S, AK34S</b>



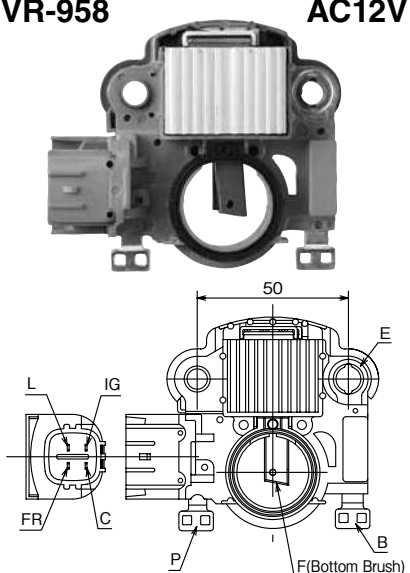
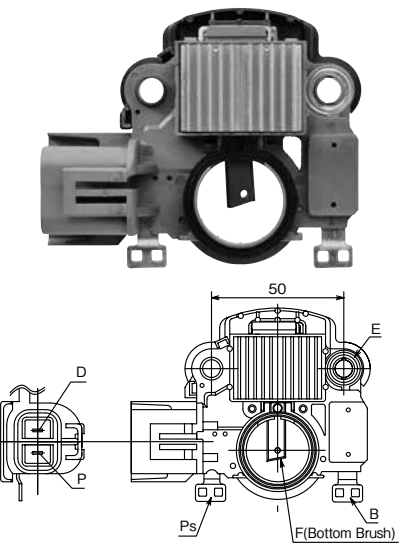
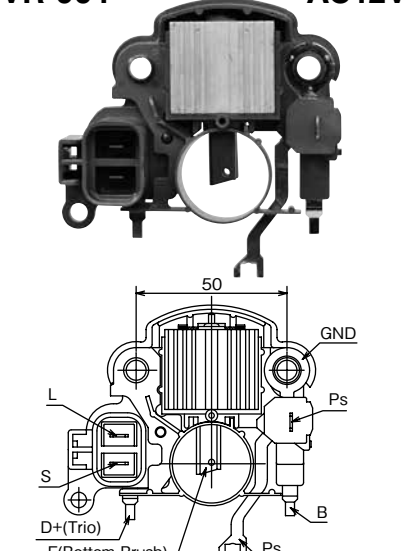
# VOLTAGE REGULATORS

VOLTAGE REGULATORS

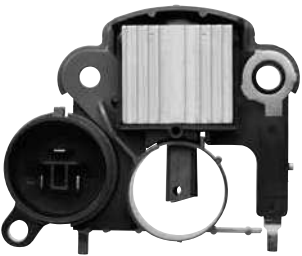
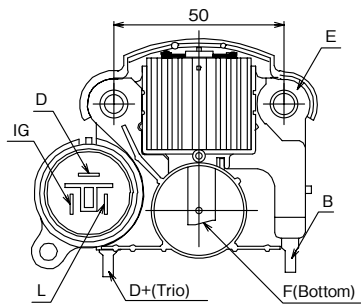
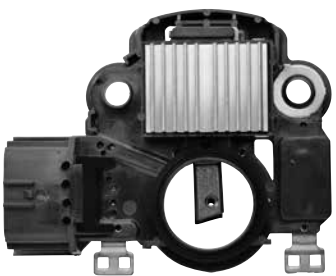
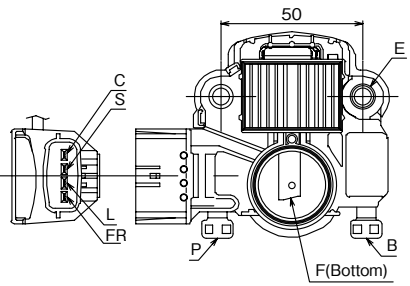
New-Era No.	Ref.No.	Application
<b>IVR-953</b> <b>AC24V</b> 	<b>ME701196</b> <b>ME700783</b>	<b>MITSUBISHI (FUSO)</b> AEROSTAR MP218, MP618 (6D22) 85~97 AERO MIDDY MJ117, MD527, MK117, MK517, MM117, MM527 (6D16) 87~95 MK527, MM517 (6D16) MK115 (6D14) MK525 (6D14T) THE GREAT FU418, FP418, FT418, FU418, FP418, FU478, FT418 (6D22) 85~99 FV418, FS418, FU428, FU418 (6D22T) FN428, FP418, FU478, FS478 (6D22T) FW419, FP449, FU419, FV419 (8DC11) FP419, FW429 (8DC11) FP413, FU413, FT413, FV413 (8DC8) FP445, FP415, FS415 (8DC9T) FT415, FV415 (8DC9T) FS415, FV415, FP415 (8DC9) FW455, FW445, FU415, FS425 (8DC9) FV416, FS416, FU416 (8DC10) FU410, FS410, FU440, FU470 (6D40) FT410 (6D40T) FP414, FV414 (10DC11) FP411, FU411, FV411 (8M20) FIGHTER FK415, FK425,, FK345, FK335 (6D14) 87~95 FK615 (6D14) FK415, FK515, FM515, MK595 (6D14T) FK416, FK516, FM516 (6D15T2) FM656 (6D15T3) FK567, FK517, FK467, FL417 (6D16) FK417, FK427, FK617 (6D16) FL618 (6D17) INDUSTRY (6D143) 90~97 TADANO (6D152) TADANO (6D161) TADANO, KATO (6D221) (6D311)
		<b>A866X19972 MI</b> <b>A866X08871 MI</b>
<b>IVR-956</b> <b>AC24V</b> 	<b>ME701302</b> <b>ME701838</b> <b>1-81260018-0</b>	<b>MITSUBISHI (FUSO)</b> FIGHTER CANTER FK71D (4M50) 99~ FE50E, FE51E, FE52E (4M51) FE53E, FE62E, FE63E (4M51) FE63D, FF63D (4M50) FF63E, FE50E, FG53E (4M51) FG63E, FE59E, FE69E (4M51) FG68E, FG52E, FG62E (4M51) FE512, FE532, FE562 (4M51) 98~ FE632, FE642, FE652 (4M51) FE662 (4M51) LIGHT BUS FE542 (4M51) BE632, (4M51) BE642 (4M51) BE644 (4M50T) INDUSTRY (6D161) 91~ (8DC91) MITSUBISHI HEAVY INDUSTRY MARINE (6D161) 91~
		<b>ISUZU</b>
<b>A866X26072 MI</b> <b>A866X38272 MI</b>		

# VOLTAGE REGULATORS

VOLTAGE REGULATORS

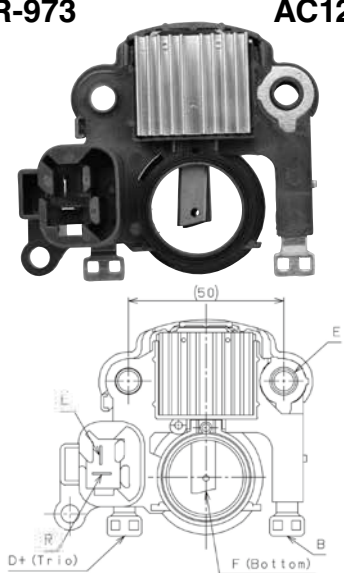
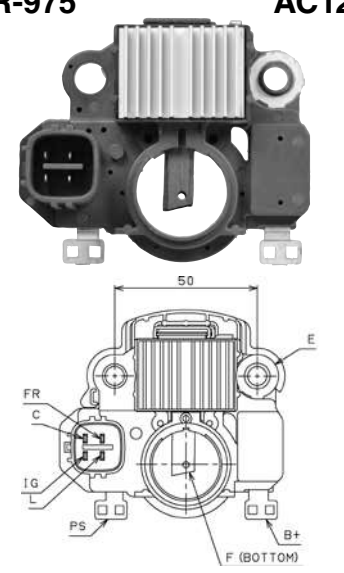
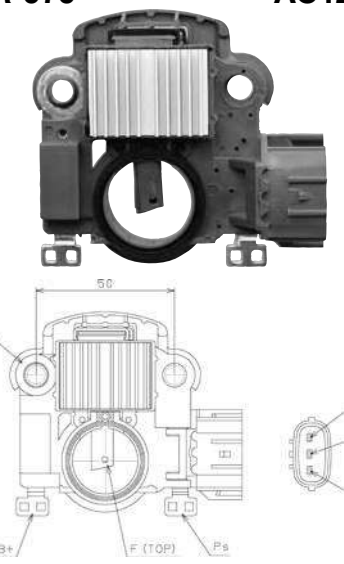
New-Era No.	Ref.No.	Application
<b>IVR-958</b> 	<b>AC12V</b> <b>31150-PLM-A01</b>	<b>HONDA</b> CIVIC 1.7L ACURA EL 1.7L
	<b>A866X48782 MI</b>	01~05  01~03
<b>IVR-963</b> 	<b>AC12V</b> <b>Z599-18-W70</b>	<b>MAZDA</b> LANTIS FAMILIA  RASER  CAPELLA TELSTER  PREMACY MPV DEMIO FORD FESTIVA
	<b>A866X35472 MI</b>	CBA8P (BP) 96~98 BHA6R (B6) 96~00 BJ3P, BHA3P/S, (B3) 96~ BJ5P, BJ5W, (ZL) 96~ E-N12, E-B12 (E15E,E13E) 96~98 BHALP/S, (Z5) 96~00 BHA8P/S, (BP) 96~00 BJ8W (FP) 96~00 BJFW, BJFP (FS) 99~00 BHALPF, BHALSF (Z5) 96~00 BHA8PF (BP) 96~00 BHA6RF (B6) 96~00 BHA3PF (B3) 96~00 GFEP, GFER (FS) 96~00 GF8P, GW8W (FP) 96~00 GW8WF, GF8PF (FP) 96~99 GWEWF, GWERF (FS) 96~99 GFERF (FS) 96~99 CP8W (FP) 98~00 CPEW (FS) 99~00 LWEW (FS) 99~00 DW5W (B5) 98~ DW3W (B3) 98~ DW5WF (B5) 98~ DW3WF (B3) 98~
<b>IVR-964</b> 	<b>AC12V</b> <b>F2G8-18-W70</b>	<b>MAZDA</b> PICK-UP 2.2L B2200
	<b>A866X18972 MI</b>	90~93

# VOLTAGE REGULATORS

New-Era No.	Ref.No.	Application
<b>IVR-965</b>  	<b>AC12V</b> <b>32500-60A10</b>	<b>SUZUKI</b> JIMNY ESCUDE  <b>CULTUS</b>   <b>ALTO</b> ALTO WORKS CERVO MODE
	<b>A866X11872 MI</b>	JA11V, JA11C (F6A) 90~92 TA01 (G16A) 88~92 TA01R, TA01V (G16A) 88~92 TA01W, TD01W(G16A) 88~92 AA34S (G13B) 88~92 AF34S (G13B) 91~92 AB34S (G13B) 91~92 AK34S (G13B) 91~92 CR22S,CS22S (F6A) 90~92 CN21S,CP21S (F6A) 90~92 CN21S,CN21S (F6A) 90~92 CP21S,CP22S (F6A) 90~92
<b>IVR-966</b>  	<b>AC12V</b> <b>MD619268</b> <b>1800A104</b>	<b>MITSUBISHI</b> MIRAGE, ASTY  <b>LANCER</b>   <b>GALANT</b>  <b>DION</b>  <b>PAJERO IO</b> <b>MIRAGE DINGO</b>  <b>LANCER CEDIA</b>  <b>LANCER CEDIA WAGON</b> <b>LEGNUM</b>  <b>RVR</b>  <b>ASPIRE</b> <b>FTO</b> <b>DIAMANTE</b>  <b>AIRTRECK</b>  <b>FUSO</b>
	<b>A866X34172 MI</b> <b>A866X56072 MI</b>	(4G13,4G15) 95~97 CJ4A,CK4A, (4G15) CJ4A (6A11) 98~ CJ1A,CJ2A, (4G92) CK1A,CK2A (4G13,4G15) 98~ CL2A,CM2A CK6A 95~97 CK4A (6A11) 95~ CK1A,CK2A, (4G93) 95~00 CM2A (4G63) CK6A 95~06 CK5AR (4G93,4G94) 95~00 CN9A,CP9A (6A13) 96~99 EA1A,EA7A, (4G94) EC1A,EC7A (4G63) 96~06 EC5A (4G93) 96~06 CR6W (4G93,4G13, 96~06 CR9W 4G15) 97~06 H76W (4G93,4G15) 96~06 CQ5A,CQ1A, (4G15) CQ2A (4G93,4G94) 96~06 CS5A,CS5AR, (4G12,6A13) CS2A (6A12,6A13) 98~ CS2W (4G93) 96~06 EA1W,EA7W, (6G63) EC1W (4G93) 96~06 EA4W,EA5W, (6G73,6G72) EC4W,EC5W (6A12) 98~05 N61W,N71W (6A13) 97~06 N73WG (6A13) 97~06 EA1A,EC1A (6G73,6G72) 98~05 DE3A 95~06 F34A (6G73,6G72) 02~06 F31A,F36A (4G63) 96~99 F41A,F46A, F47A 96~99 CU2W 01~06

# VOLTAGE REGULATORS

VOLTAGE REGULATORS


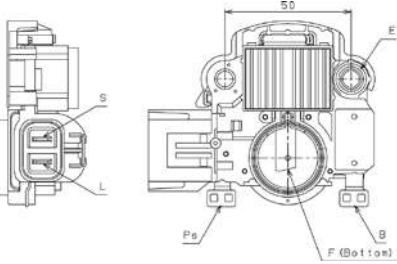
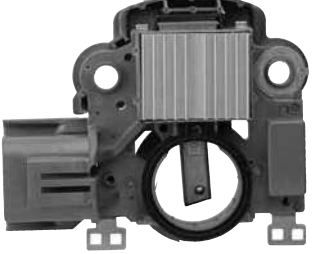
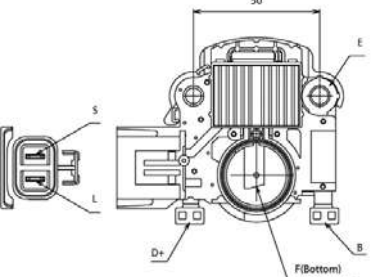
New-Era No.	Ref.No.	Application		
<b>IVR-973</b> <b>AC12V</b> 	<b>MD618845</b> <b>S5SN-18-W70</b>	<b>MAZDA</b> FORKLIFT(HYSTER)	(FE)	92~97
	<b>A866X26172 MI</b>	<b>MITSUBISHI</b> MINICA MINICA TOPPO PAJERO JR PAJERO MINI	H32A/37A/32V/37V (3G83) H31A/36A (4A30) H32A/32V/37V (3G83) H31A/36A (4A30) H57A (4A31) H56A/51A (4A30)	93~97 93~97 93~97 93~97 94~97 94~97
<b>IVR-975</b> <b>AC12V</b> 	<b>31150-RSH-004</b>	<b>HONDA</b> JAZZ FIT CITY		07~08 07~08 08
	<b>A866X54472 MI</b>	<b>NISSAN</b> NAVARA ATLAS CARAVAN	F24 (QR20DE) E25 (QR20DE/QR25DE)	07~ 07~
<b>IVR-976</b> <b>AC12V</b> 	<b>23215-EB310</b>			
	<b>A866X54472 MI</b>			

# VOLTAGE REGULATORS

New-Era No.	Ref.No.	Application
<p><b>IVR-977 AC12V</b></p>	<p><b>31150-REA-Z01</b> <b>31150-PWA-Z01</b></p>	<p><b>HONDA</b> CITY JAZZ  05~07</p>
<p><b>IVR-978 AC12V</b></p>	<p><b>32500-61J00</b></p>	<p><b>SUZUKI</b> APV BALENO  (GC415) (GC415)</p>
<p><b>IVR-979 AC12V</b></p>	<p><b>GY01-18-W70</b></p>	<p><b>MAZDA</b> MPV  LW5W (GY) 99~02 LW3W (L3) 02~05 GC3P,GGEP, (L3,LF) 01~05 GG3S,GGES  ATENZA (MAZDA 6)  ATENZA WAGON (MAZDA6 WAGON) GY3W,GYEW (L3,LF) 01~05 TRIBUTE EP3W (L3) 02~05  <b>FORD</b> ESCAPE EP3WF (L3) 02~05</p>
	<b>A866X46572 MI</b>	

# VOLTAGE REGULATORS

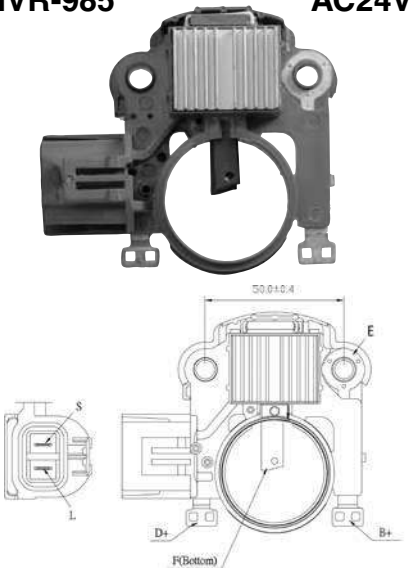
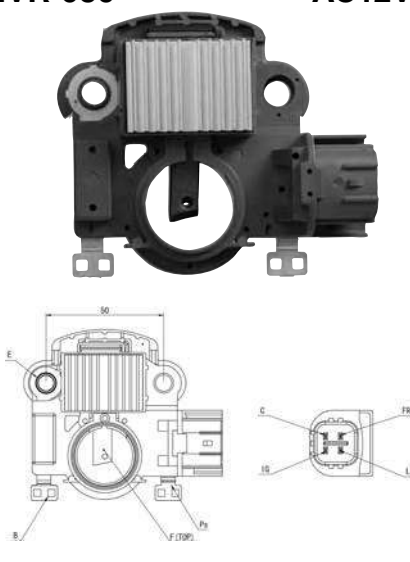
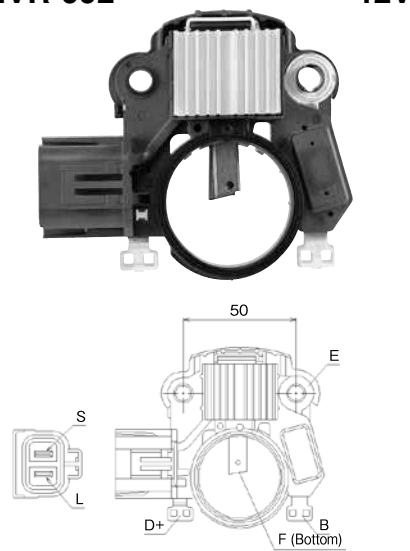
VOLTAGE REGULATORS

New-Era No.	Ref.No.	Application
<b>IVR-980</b>  	<b>AC12V</b> <b>FS05-18-W70</b>	<b>MAZDA</b> B2900 PROCEED MARVIE CAPELLA WAGON CAPELLA CAPELLA CARGO MS-8 AZ-3 PRESSO(MX-3) LANTIS RX-7 BONGO FRIENDEE BONGO BRAWNY MPV FAMILIA TITAN DASH <b>FORD</b> TELSTER TELSTER II FREDA LASER J100
		UVL6R (WL) 96~09 GV8W, GVER, GVEW (F8, FE) 97~98 CG2PP, CG2SP, CG2SR (FP, FS) 97~99 GW5R (KL) 97~02 GFFP, GWFW (RF) 98~04 GVfV (RF) 97~99 MB5P, MBEP (KL, KF) 97~02 ECPSA (K8) 97~02 EC5SA (B5) 96~98 EC8S (K8) 97~02 EC5S (B5) 96~98 CBAEP (KF) 97~02 FD3S (13B) 97~06 SG5W, SGE3, SGEW (J5, FE) 97~02 SD59M, SD59T, SD5AM, SD5AT, SK54L, SK54T, SK56L, SK56T, SK54V, SK56M, SK56V, SK5HM, SK5HV, SR59V, SR5AM, SR5AV (WL) 96~09 LVLr, LVLW (WL) 97~00 BJEP (RF) 98~04 SY54L, SY54T, SY56L, SY56T (WL) 96~09 GV8WF, GVERF, GVEWF (F8,FE) 97~98 GW5RF (KL) 97~02 GFFPF, GWFWF (RF) 98~04 CG2PPF, CG2SPF, CG2SRF (FP,FS) 97~99 SG5WF, SGE3F, SGEWF (J5,FE) 97~02 BJEPF (RF) 97~04 SD5ATF, SR5AMF, SR5AVF (WL) 96~09
	<b>A866X37272 MI</b>	
<b>IVR-981</b>  	<b>AC12V</b> <b>MD619542</b>	<b>MITSUBISHI</b> PAJERO MIRAGE LANCER DELICA DELICA SPACE GEAR DELICA CARGO DELICA TRUCK FTO CANTER(LPG) CANTER GUTS
		V21W (4G64) 97~06 CK8A/CM8A (4D68) 99~04 CK8A/CM8A (4D68) 99~04 P07V/P17V/P27V (4G63) 97~ PA4W/PB4W/PC4W (4G64) 97~06 PA3V (4G63) 97~ P13T (4G63) 97~ DE2A (4G93) 97~02 FA523/FB523 (4G64) 97~ FC563/FC533 (4G64) 97~ FC563/FE533 (4G64) 98~07 FA500/510/580/590 (4G63) 97~ FB500/510 (4G63) 97~ FB700 (4G63) 98~
	<b>A866X38072 MI</b>	



# VOLTAGE REGULATORS

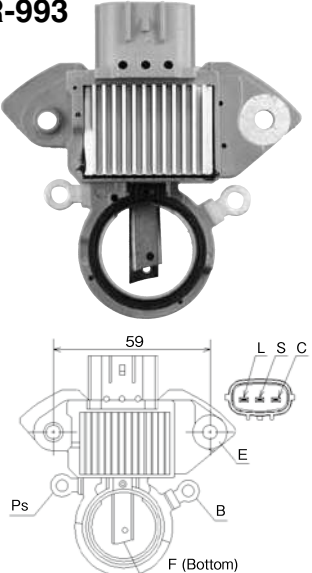
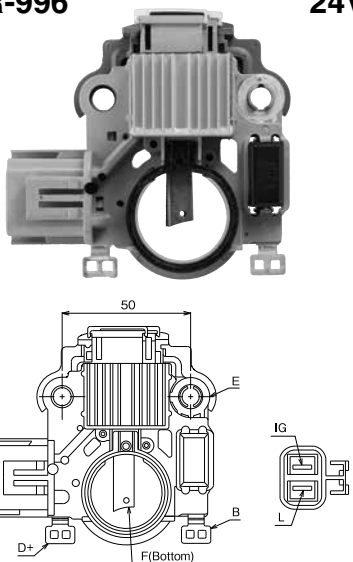
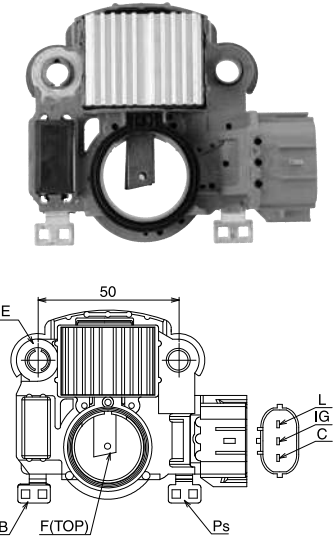
VOLTAGE REGULATORS

New-Era No.	Ref.No.	Application		
<p><b>IVR-985</b>      <b>AC24V</b></p> 	<p><b>VS10-18-W70</b></p> <p><b>A866X38672 MI</b></p>	<p><b>MAZDA</b> TITAN</p>	<p>WGM1D,WGMAD (TM) 91~ WGM4H,WGM4S,WGM4T WGM7H,WGM7T,WGMAF WGT1D,WGTAD,WGTAK (TF) 91~ WGT4T,WGTAE,WGTAT WGT7V,WGTAE WGEAD,WGFAK,WGE1T WGE4T,WGEAH,WGEAT WHF5D,WHF3F,WHF3G 99~ WGH5G,WHF5T WH65H,WH6HH WGLAD,WGLAK (SL) 91~ WGL4T,WGLAF,WGLAT WGLAN,WGL4M,WGLAM WGL4H,WGL4T,WGL7H WGLAF WGFAT (HA) 91~ WGSAT (VS) 91~ WGS5T 99~</p>	
<p><b>IVR-986</b>      <b>AC12V</b></p> 	<p><b>31150-RNA-A01</b></p> <p><b>A866X55882</b></p>	<p><b>HONDA</b> CIVIC</p>	<p>FD</p>	<p>06~</p>
<p><b>IVR-992</b>      <b>12V</b></p> 	<p><b>MD619618</b> <b>23215-K8471</b></p> <p><b>A866X41072 MI</b></p>	<p><b>MITSUBISHI</b> MONTERO PAJERO STRADA L200</p> <p><b>NISSAN</b> FORKLIFT</p>	<p>K90 K6,K7 (2.5TD)</p>	<p>'96~</p>



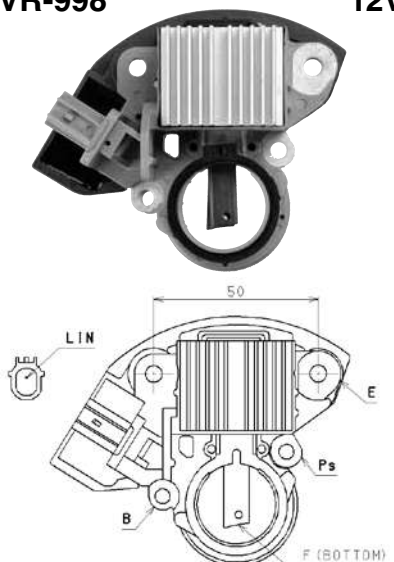
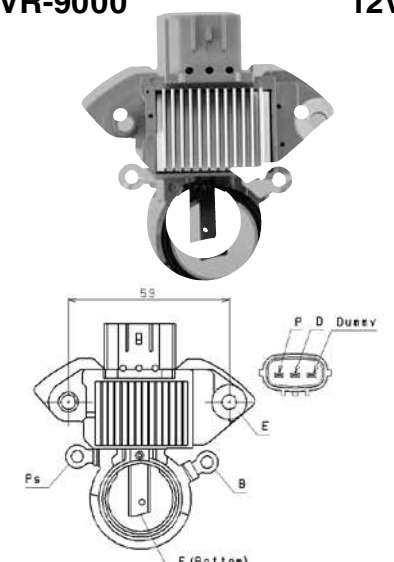
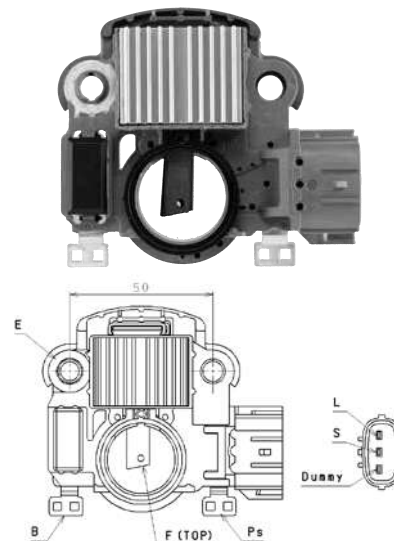
# VOLTAGE REGULATORS

VOLTAGE REGULATORS

New-Era No.	Ref.No.	Application																																							
<p><b>IVR-993</b>      <b>12V</b></p> 	<p><b>23215-JF01A</b></p> <p><b>A866X61672 MI</b></p>	<p><b>NISSAN</b></p> <table border="0"> <tr> <td>GT-R</td> <td>V35</td> <td>(VR38DE(4M42))</td> <td>'07~</td> </tr> <tr> <td>NV350 CARAVAN</td> <td>VR2</td> <td>(QR20)</td> <td>'11~</td> </tr> <tr> <td></td> <td>CS4,DS4,KS2,KS4</td> <td>(QR25) (4D34(CNG))</td> <td>'11~</td> </tr> <tr> <td></td> <td></td> <td>(4D34(LPG))</td> <td></td> </tr> <tr> <td></td> <td></td> <td>(4M50)</td> <td></td> </tr> <tr> <td></td> <td></td> <td>(4M50)</td> <td></td> </tr> <tr> <td></td> <td></td> <td>(4M50)</td> <td></td> </tr> <tr> <td></td> <td></td> <td>(4M50)</td> <td></td> </tr> </table>				GT-R	V35	(VR38DE(4M42))	'07~	NV350 CARAVAN	VR2	(QR20)	'11~		CS4,DS4,KS2,KS4	(QR25) (4D34(CNG))	'11~			(4D34(LPG))				(4M50)				(4M50)				(4M50)				(4M50)					
GT-R	V35	(VR38DE(4M42))	'07~																																						
NV350 CARAVAN	VR2	(QR20)	'11~																																						
	CS4,DS4,KS2,KS4	(QR25) (4D34(CNG))	'11~																																						
		(4D34(LPG))																																							
		(4M50)																																							
		(4M50)																																							
		(4M50)																																							
		(4M50)																																							
<p><b>IVR-996</b>      <b>24V</b></p> 	<p><b>ME192607</b>  <b>ME222848</b>  <b>ME223933</b>  <b>ME224954</b>  <b>ME225011</b>  <b>ME753319</b></p> <p><b>A866X54172 MI</b></p>	<p><b>mitsubishi</b></p> <table border="0"> <tr> <td>CANTER</td> <td>FE70B,71B,72B,73B,74B, FE82B,84B</td> <td></td> <td>03~</td> </tr> <tr> <td></td> <td>FF73C,82C,83C</td> <td></td> <td>03~</td> </tr> <tr> <td></td> <td>FE73C,82C,83C</td> <td></td> <td>03~</td> </tr> <tr> <td></td> <td>FE70D,71D,72D,73D,74D,78D</td> <td></td> <td>03~</td> </tr> <tr> <td></td> <td>FE82D,83D,84D,88D</td> <td></td> <td></td> </tr> <tr> <td></td> <td>FF83D</td> <td></td> <td>03~</td> </tr> <tr> <td></td> <td>FG70D,72D,73D,82D,83D,88D</td> <td></td> <td>03~</td> </tr> </table> <p><b>ROSA</b></p> <table border="0"> <tr> <td></td> <td>BE63D,64D</td> <td></td> <td>04~</td> </tr> <tr> <td></td> <td>BG64D</td> <td></td> <td>04~</td> </tr> </table>				CANTER	FE70B,71B,72B,73B,74B, FE82B,84B		03~		FF73C,82C,83C		03~		FE73C,82C,83C		03~		FE70D,71D,72D,73D,74D,78D		03~		FE82D,83D,84D,88D				FF83D		03~		FG70D,72D,73D,82D,83D,88D		03~		BE63D,64D		04~		BG64D		04~
CANTER	FE70B,71B,72B,73B,74B, FE82B,84B		03~																																						
	FF73C,82C,83C		03~																																						
	FE73C,82C,83C		03~																																						
	FE70D,71D,72D,73D,74D,78D		03~																																						
	FE82D,83D,84D,88D																																								
	FF83D		03~																																						
	FG70D,72D,73D,82D,83D,88D		03~																																						
	BE63D,64D		04~																																						
	BG64D		04~																																						
<p><b>IVR-997</b>      <b>12V</b></p> 	<p><b>27060-BZ240</b>  <b>27060-BZ241</b></p>	<p><b>TOYOTA</b></p> <table border="0"> <tr> <td>AGYA</td> <td>B100</td> <td>(1KR)</td> <td>12~17</td> </tr> <tr> <td>WIGO</td> <td>B100</td> <td>(1KR)</td> <td>12~17</td> </tr> </table> <p><b>DAIHATSU</b></p> <table border="0"> <tr> <td>AYLA</td> <td></td> <td></td> <td>12~17</td> </tr> </table>				AGYA	B100	(1KR)	12~17	WIGO	B100	(1KR)	12~17	AYLA			12~17																								
AGYA	B100	(1KR)	12~17																																						
WIGO	B100	(1KR)	12~17																																						
AYLA			12~17																																						

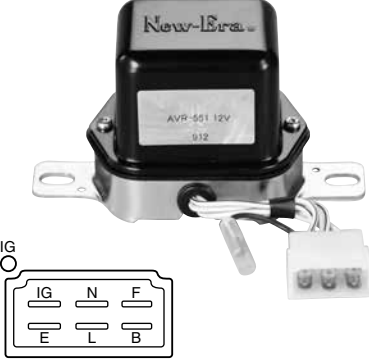

# VOLTAGE REGULATORS

VOLTAGE REGULATORS

New-Era No.	Ref.No.	Application
<p><b>IVR-998</b> <b>12V</b></p> 	<p>31100-R1A-A01 31150-R1A-A01</p>	<p><b>HONDA</b> CIVIC HR-V 12~15 16~18</p> <p><b>ACURA</b> ILX 13~15</p>
<p><b>IVR-9000</b> <b>12V</b></p> 	<p>A005TL0491 A2TX3081</p>	<p><b>MAZDA</b> CX-5 MAZDA3 MAZDA6 13~16 14~16 14~17</p> <p>(AXELA) (ATENZA)</p>
<p><b>IVR-9001</b> <b>12V</b></p> 	<p>23100-EB71A</p>	<p><b>NISSAN</b> PATHFINDER FRONTIER 05~14</p>


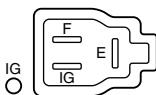


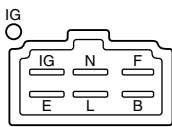

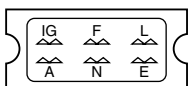
# VOLTAGE REGULATORS

VOLTAGE REGULATORS

New-Era No.	Ref.No.	Application
<b>AVR-551</b> 	<b>AC12V</b> 27700-22010 27700-22011 27700-22012 27700-31010 27700-31011 27700-33010 27700-33011 27700-40020 27700-40021 27700-51010 27700-51011 27700-51012 27700-36010 32500-56010  026000-1740 ND 026000-1742 ND 026000-1751 ND 026000-1800 ND 026000-1801 ND 026000-1810 ND 026000-1871 ND 026000-2430 ND 026000-2431 ND	<b>DAIHATSU</b> CONSORTE EP30,30D,30N,30NB,31S ~76 EP40,42,45,47 A10,20 77~ CHARMANT CHARADE DELTA 1500 SV17T,SV18L 2000 DV23T,DV26T2 750 KD10 TAFT JEEP F10 78~ DELTA DIESEL 2000 V20,23,25,26(DG) 77~79  <b>SUZUKI</b> FRONTE COUPE LC10W 73~76 LC20FG 75~76 JIMNY 55 H-SJ10(V),(LJ-50) 76~81 8 H-SJ20(F8A) 76~ CARRY 55 H-ST10(T5A)ST20(LJ-50) 76~79 FRONTE 7-S (T4A) 76~ CERVO (T4A) 76~ FRONTE 7-S C-SS11(AB10) 77~79 CERVO E-SS20(T5A) 77~79 ALTO H-SH10(LJ50) 76~79  <b>TOYOTA</b> CORONA MARK II MX10,20,27 72~74 CORONA RT40,50,60,70,80,90 65~74 RT100,110,TT-100,110 PT36,PT40,PT86V CARINA [USA] 73~74 CELICA RA21[USA] 73~74 CORONA MX13,23,29 73~74 RT85,95,104,114,118[USA] 73~74 LAND CRUISER (F ENG FJ55)(2F ENG FJ55)[USA] 73~74 PICK UP RN22,27[USA] 73~74 STARLET KP40 73~74 DYNA JK171,176,RK171,176 74~ JU10,12,15,RU10,12,15 69~74 COASTER RK171B,JU18,RU18,19 69~74 STOUT RK101 67~74 HI LUX RN10,20,22,25 68~74 TOYOACE DIESEL JY16(2J) 72~74 TOYOACE RK32,41,42,PY10,12,14 67~74 HI ACE RH10,11,15,16 67~74 LARGE TRUCK 4200 FA101(2F) 75~79
		<b>AVR-553</b> 

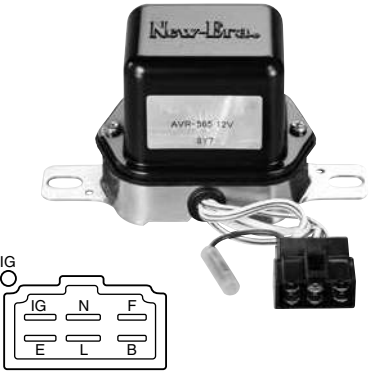
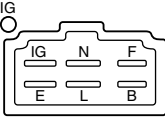

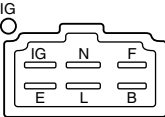
# VOLTAGE REGULATORS

VOLTAGE REGULATORS

New-Era No.	Ref.No.	Application
<b>AVR-554</b> <b>AC12V</b>  	27700-60080 27700-60090  026000-2370 ND 026000-2371 ND	<b>TOYOTA</b> LAND CRUISER DYNA LAND CRUISER  FJ40,43,45,55,56(F.2F) FC22D (F ENG FJ40,2F ENG FJ40)[USA]  75~78 73~79
<b>AVR-556</b> <b>AC24V</b> 	27700-47010  026000-1690 ND	<b>TOYOTA</b> LAND CRUISER TRUCK  FJ40-B(F) DA1#(2D)  68~
<b>AVR-558</b> <b>AC12V</b>  	27700-26020 27700-28010 27700-38010 27700-38020 2770A-38020  026000-2540 ND 026000-2680 ND	<b>DAIHATSU</b> DELTA 750 DELTA WIDE DELTA  <b>HINO</b> RANGER  <b>TOYOTA</b> CROWN  CROWN 2000  CARINA MARK II CORONA DYNA TOYOACE PICK UP  V30(DG5R)  HV10(DG)  C-RS100(5R-U) E-MS105(M-U) C-MS100(M-U) H-MS87V(M-J) H-TA16,17(T-J,2T-J) RX12,22,28(18R-G(R)) RT104,114,120(16R,18R) JU10,20,K-JU20(2J) K-JY20,30(2J) RN23,28[USA]  78~  76~ 75~76 75~79 75~77 73~ 73~ 73~79
<b>AVR-559</b> <b>AC12V</b>  	MD011810 MD011811  026000-1940 ND	<b>MITSUBISHI</b> GALANT FTO 1400 DELICA DELICA VAN  A61  T120,120V

# VOLTAGE REGULATORS


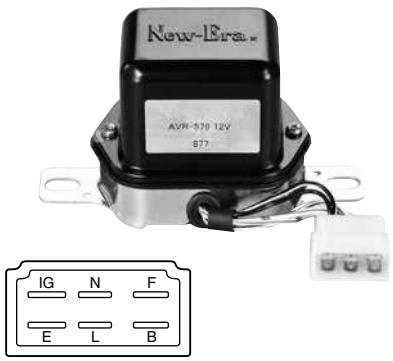

VOLTAGE REGULATORS

New-Era No.	Ref.No.	Application
<b>AVR-565</b>  	<b>AC12V</b> 27700-24010 27700-36010 27700-40041 27700-44020  026000-2432 ND 026000-3880 ND	<b>DAIHATSU</b> CHARADE(COLD) E-G10(CB10,11,31,32) 77~83 CHARMANT H-A10,H-A20V(3K-HJ,T-J) 75~79 DELTA DIESEL 1500 K-V24,26(DG) 79~83 1750 N-V54,56(DL) 83~ 2000 K-V24,26(DG) 79~80 K-V20,23,25(DG) 80~83 TAFT 2000 F50(DG) 78~80 K-F50,50V(DG) 80~  <b>TOYOTA</b> COROLLA TE3#,4#(T,2T) 75~ B-KE50,60(3K-U) SPRINTER H-TE36(2T-J),H-KE26, 75~ 36(3K-U) PUBLICA H-KP27(2K),B-HP5#(4K-J) 75~ STARLET B-KP50,51(3K), 75~ H-KP37(4K-J) HIACE PH10(5R) 72~ DYNA RU-10,12,15(5R) 72~ CORONA 1800 H-RT137V(16R-J) 78~79 1600 H-TT137V(2T-J) 78~79 CARINA [USA] 75~79 CELICA RA21[USA] 75~79 CORONA MX13,23,29[USA] 75~79 RT85,95,104,114,118[USA] 75~79 LAND CRUISER (F ENG FJ55,2F ENG FJ55)[USA] 75~79 PICK UP RN22,27[USA] 75~79
		<b>AVR-566</b>  


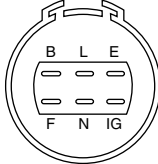

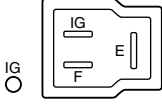

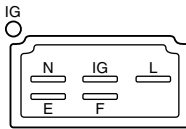
W/BOTTOM PLATE

# VOLTAGE REGULATORS

VOLTAGE REGULATORS


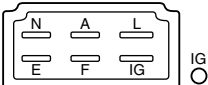

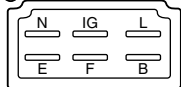
New-Era No.	Ref.No.	Application
<b>AVR-573 AC24V</b>  <b>W/DIODE &amp; BOTTOM PLATE</b>	27700-46010 27700-46011 27700-46012 27700-56050  026000-1670 ND 026000-1671 ND 026000-3040 ND 026000-3540 ND	<b>DAIHATSU</b> DELTA DIESEL 2000 V10,V12(B) 77~79 K-V10(B) 79~80  <b>TOYOTA</b> DYNA,COASTER BU 72~77 LAND CRUISER BJ40,43 DYNA JU10,20,BJ40,43 TOYOACE K-YJ20,30 JY16 COASTER BB10 DYNA BU20,30 LAND CRUISER BJ41,44 COASTER BB10,11
	<b>AVR-579 AC12V</b>  <b>W/DIODE</b>	32500-56011  026000-3670 ND
<b>AVR-583 AC12V</b>  <b>W/DIODE &amp; BOTTOM PLATE</b>	27700-13040 27700-15011 27700-35030 27700-87701  026000-3700 ND 026000-3701 ND 026000-3860 ND 026000-3861 ND 026000-3980 ND 026000-4120 ND 026000-4190 ND	<b>DAIHATSU</b> DELTA 750(COLD) J-KD20(4K-J) 79~82 DELTA WIDE VAN J-TB11V DELTA WIDE WAGON E-TB15G CHARMANT 1500 E-A55(3A-U) 81~ DELTA WIDE H-KB11V(4K-J) 78~79 J-KB12V(4K-J) 79~82 L-KB26V(4K-J) 82~ L-YB26V(1Y-J) 82~ DELTA WIDE DIESEL N-CB21G(2C) 83~  <b>TOYOTA</b> CORONA 1500 E-AT140(3A-U) 82~ CARINA 1500 E-AA60(3A-U) 81~ COROLLA,SPRINTER 1500 E-AE70,85(3A-U) 81~ 1300 E-KE70,73G(4K-U) 81~83 CORSA,TERCEL,COROLLA II 1500 E-AL12,21(3A-U) 79~ 1300 E-AL11,20 80~

# VOLTAGE REGULATORS


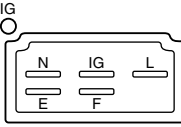

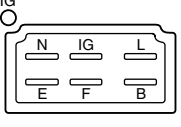
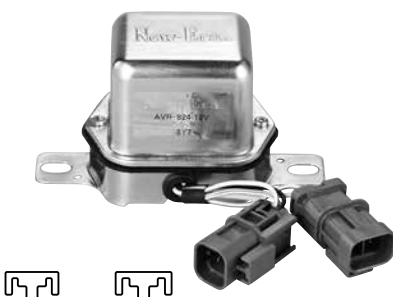
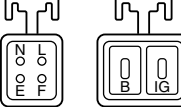
New-Era No.	Ref.No.	Application
<b>AVR-589</b>  	<b>AC12V</b> 27700-13090 27700-63010 27700-63040 27700-72030      026000-4050 ND 026000-4051 ND 026000-4070 ND 026000-4180 ND 026000-4300 ND	<b>TOYOTA</b> MARK II, CHASER, CRESTA E-SX60(1S-U) 82~84 E-LX60,67V-X,D(L) 82~84 E-TX67V-X(13T-J) 82~84 CORONA 1800 E-ST140(1S-U) 82~ E-AT140(3A-U) 82~ E-CT140,147(1C) 83~ E-KT147(5K-J) 83~ E-TT147V(12T-J) 82~83 CORONA 1500 DIESEL(COLD) N-CT140,147V(1C) 82~ CELICA 1800 E-SA60(1S-U) 81~85 CARINA 1800 E-SA60(1S-U) 81~83 E-AA60(3A-U) 81~83 E-CA60,37V(1C) 82~ E-KA67V(5K-J) 83~ E-TA67V(12T-J) 81~83 DIESEL N-CA60,37V(1C) 82 COROLLA,SPRINTER DIESEL NCE70 M/T(1C) 82~83 STARLET [USA] 81~82 COROLLA [USA] 83 TERCEL (GAS 50AMP)[USA] 83~85 HILUX E-LN5#,6#(2L#) 83~85 E-LN5#,6#(2L#) 85~ E-YN56(3Y-P) 84~ E-YN5#(2Y-J) 83~85 E-YN5#(2Y-J) 85~ E-Y6#(3Y-J) 83~84 KIJANG DIESEL (7K)
<b>AVR-592</b>  	<b>AC12V</b> 27700-87504 27700-87505   026000-3170 ND 026000-4080 ND	<b>DAIHATSU</b> HI-JET 550 J-S40(AB20) 79~81 HI-JET 55 WIDE J-S60(AB20) J-S65(V)(C)(AB20) 81~82 M-S65,66(AB20) 82~
<b>AVR-615</b>  	<b>AC24V</b> 9-8225-0129-0 9-8225-0112-0 9-8225-0114-0 9-8225-0134-0      0-41000-2390 NK	<b>ISUZU</b> TRUCK TX,TWS(DA 640) 76~81 SFR(DA640) 76~ TD,SLR(DH100)SPM,TMK(E120) 76~ BUS CCM,ECM(6BD1) 80~ CLM,CLA(DH100H) 80~ CJM,CJA(6QA2) 80~81 CPM,CPA(E120H) 80~81 DX BUS BU-K(E120H) 76~78 BH(8MA1),CRA(10PA1) 76~ TRUCK SKW(8PA1) 76~84 SK,SM(8PB1) 80~84 SRM,VRR(10PA1) 76~ SSZ,SSK,VSR(10PB1) 80~ SSH,SSZ,SSK,VSR(10PB1) 81~ SR(10PA1),SS,VS(10PB1) 82~ TRACTOR VWR,VWZ(8MA1) 76~78 TRUCK VTR,VTZ(12PA1) 76~81 VT(12PA1) 82~ BUS BA,BS(DA640),BU-D(D920H) 76~79 BU(DH100H) 76~79 INDUSTRIAL MACHINE (DA220,DA640,8MA1) 78~




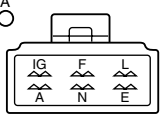
# VOLTAGE REGULATORS

New-Era No.	Ref.No.	Application	
<b>AVR-712</b>  	<b>AC24V</b> 23500-90114 23500-90203 23500-90212 23500-96006	<b>NISSAN</b> CABALL TRUCK BUS YC340 UD3,4,5,6 CM90G,900D,90,90E CK20DD,TK20GD RM90,90E,90G	
		<b>ISUZU</b> ELF 150 250 250 WIDE	KAD(C190) TLD(C240,4BA1,4BC1) KTD(4BA1,4BC1)
		<b>TL2Z-27 HI</b>	
		<b>AVR-811</b>  	<b>AC12V</b> 23500-14602 23500-14802/3/4 23500-14814 23500-16500 23500-16502/3/4 23500-16510 23500-16512/3/4 23500-29900/1/2 23500-29905 23500-29911 23500-29912 23500-73000 23500-73010/1 23500-86400 23500-89900/1 23500-89904 23500-89910 23500-89911 23500-L0400 23500-L0410 23500-N3310 23500-N3300
<b>TL1Z-57D HI</b> <b>TL1Z-61D HI</b>			

# VOLTAGE REGULATORS

New-Era No.	Ref.No.	Application
<b>AVR-815</b> <b>AC12V</b>  	<b>9-8225-0110-0</b> <b>9-8225-3102-0</b> <b>9-8225-3107-0</b> <b>8-9402-1595-0</b>	<b>ISUZU</b> ELF 150 KAD(C190) 78~ 250 TLD(C240) TLD(4BA1) 77~ KAD9(C190) 73~ TLD9(C240) 75~ KAD(C190) 78~ TLD(C240) 117 COUPE ECG.1.PA90E 72~ XE,PA95TE(G180WET) 73~ PICK UP KBD 76~80
	TL1Z-08 HI	
<b>AVR-821</b> <b>AC12V</b>  	<b>8-9420-2581-0</b> <b>8-9420-5956-0</b> <b>8-9420-2581-1</b>	<b>ISUZU</b> ELF 150 KAD(C190) 78~ FASTER KB20(G161) 74~ FLORIAN DIESEL PAD30(C190G) 78~ FLORIAN-VAN DIESEL PA30D(C190) 78~ CHEV.LUV KB30 74 GEMINI 1600 PF50(G161) 74~79 117 COUPE A-PA95(G180) 74~79 W/AIR-CON CAR 1600,1800 74~76 FLORIAN 1800 (G180) 77~ CHEV.TROOPER,CARIBE 442  <b>TOYOTA</b> LAND CRUISER FJ40,43,53,56(F.2F) 77~
	TL1Z-87 HI 026000-2510 ND	
<b>AVR-824</b> <b>AC12V</b>  	<b>23500-25G10</b>	<b>NISSAN</b> PICK UP (720) 5~
	RQB-2B8 MI	

# VOLTAGE REGULATORS

New-Era No.	Ref.No.	Application
<b>AVR-951</b>  	<b>AC12V</b> 0259-18-391 0259-18-391A 0259-18-391B D27Z-10316A 367210 K437300 K437301 K457300 K467300 K467310 T200839 T206533 MD001810 MD601810 30668-26600  RLB-2220A MI	<b>MAZDA</b> 929 1800 [CANADA] 76~77 121 1800 [EC][WEST GERMANY][GENERAL] 75~77 929 2000 [SWEDEN][AUSTRALIA] 77~79 121 1800 [AUSTRALIA] 75~77  <b>MITSUBISHI</b> COLT 1000 A20,A81 63~68 1000F 1100 A21,A82 66~68 1100F 1500 A22,A25 65~66 GALANT(DODGE COLT) A51,A52 69~ LANCER ALL 73~ DELICA T100,120 68~ JEEP J20,J30 67~ JUPITER T11G,T11LPG 67~69 JUPITER JUNIOR T50,T51 67~69 MINICA A101,LA23,2G10,1V44 70~ (WATER COOLING CARS ALL TYPE) NEW COLT 1200,1500 A23,A27 68~70
		<b>AVR-953</b> 